

SC10 Precautions against shock, fire and other hazards of electrical origin

(1985)
(Rev 1
1997)
(Rev.2
May 2001)
(Rev.3
Feb 2021)

Interpretation of Regulation 45.5.2 of SOLAS Chapter II-1 as amended by IMO resolutions up to MSC.436(99)

(Chapter II-1, Regulation 45.5.2) The first sentence of SOLAS regulation II-1/45.5.2 reads as follows.

Text:

"(...) shall be at least of a flame-retardant type.(...)"

Interpretation:

This may be achieved by cables which have been tested in accordance with IEC Publication 60332-1-2:2004+AMD1:2015 or a test procedure equivalent thereto.

The first sentence of SOLAS regulation II-1/45.5.2 reads as follows:

Text:

"(...) shall be so installed as not to impair their original flame-retarding properties."

Interpretation:

This may be achieved by:

Method 1

Cables which have been tested in accordance with IEC Publication 60332-3-22:2018 Category A ~~Æ~~ or a test procedure for cables installed in bunches equivalent thereto.

Note:

1. Changes introduced in Rev.2 are to be implemented by IACS Members and Associates from 1 July 2001.
2. Rev.3 of this UI is to be uniformly implemented by IACS Societies on ships contracted for construction on or after 1 July 2022.
3. The 'contracted for construction' date means the date on which the contract to build the vessel is signed between the prospective owner and the shipbuilder. For further details regarding the date of 'contract for construction', refer to Procedural Requirement (PR) No. 29.

SC10
(cont)

Method 2 (See Figures 1-4)

- 2.1 Fire stops having at least B-0 penetrations fitted as follows:
- 1 cable entries at the main and emergency switchboard,
 - 2 where cables enter engine control rooms,
 - 3 cable entries at centralized control panels for propulsion machinery and essential auxiliaries,
 - 4 at each end of totally enclosed cable trunks; and
- 2.2 In enclosed and semi-enclosed spaces, cable runs are to comply with the following:
- 1 to have fire protection coating applied:
 - to at least 1 metre in every 14 metres
 - to entire length of vertical runs, or
 - 2 fitted with fire stops having at least B-0 penetrations every second deck or approximately 6 metres for vertical runs and at every 14 metres for horizontal runs.

The cable penetrations are to be installed in steel plates of at least 3 mm thickness extending all around to twice the largest dimension of the cable run for vertical runs and once for horizontal runs, but need not extend through ceilings, decks, bulkheads or solid sides of trunk. In cargo area, fire stops need only be fitted at the boundaries of the spaces.

SC10
(cont)

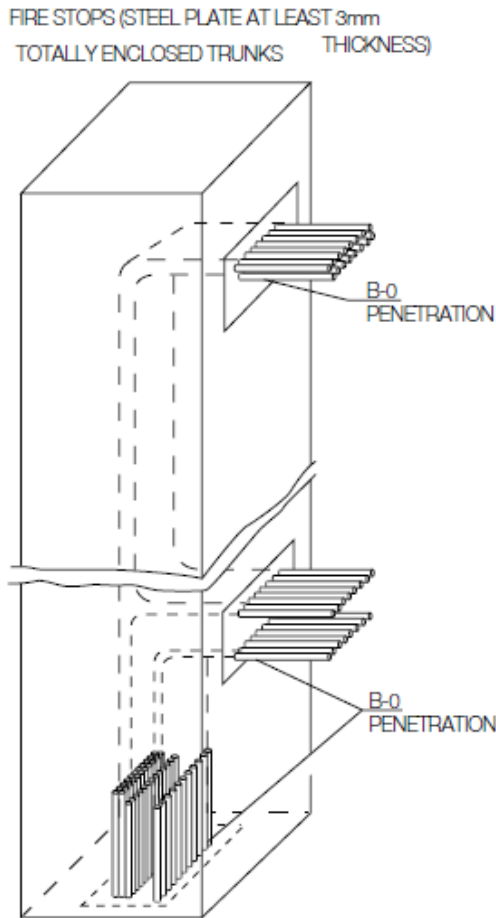


Fig. 1

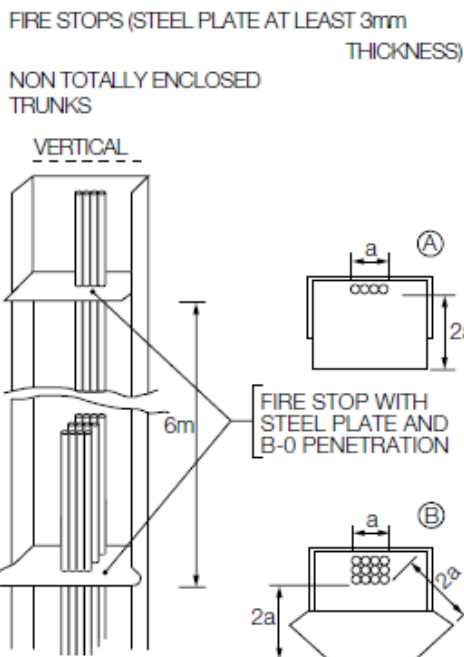
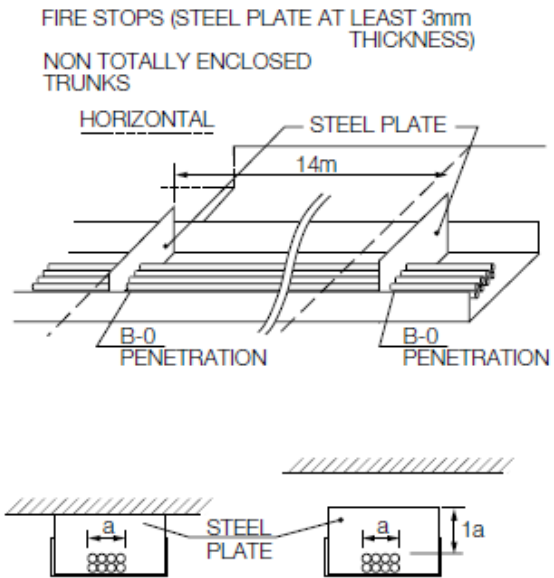


Fig. 2



REMARK:
THE LENGTH (a) OF THE FIRE STOPS FOR HORIZONTAL CABLE RUNS SHOULD BE AT LEAST ONCE OF THE LARGEST DIMENSION OF THE CABLE BUNCH OR UP TO THE DECK

Fig. 3

FIRE STOPS (STEEL PLATE AT LEAST 3mm THICKNESS)
OPEN CABLE RUNS

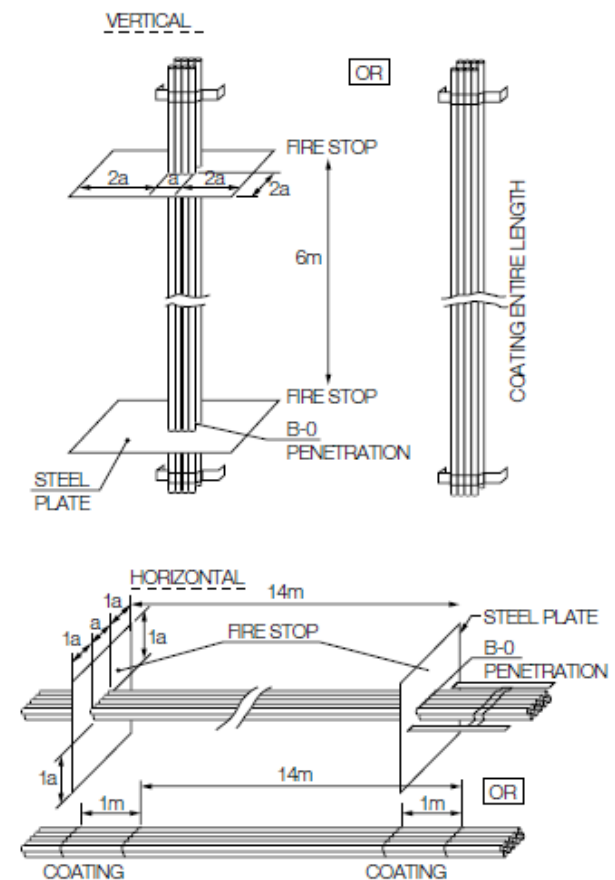


Fig. 4

End of Document