

Z10.5 HULL SURVEYS OF DOUBLE SKIN BULK CARRIERS

| | | |
|--------------------|-----|--|
| (Dec. 2003) | | |
| (Corr.1 Jan 2004) | | |
| (Rev.1 June 2005) | 1. | General |
| (Rev.2 Jan. 2006) | 1.1 | Application |
| (Rev.3 Jan 2006) | 1.2 | Definitions |
| (Rev.4 Jan 2006) | 1.3 | Repairs |
| (Rev.5 June 2006) | 1.4 | Thickness Measurements And Close-Up Surveys |
| (Rev.6 Feb 2007) | 2. | Special Survey |
| (Rev.7 July 2007) | 2.1 | Schedule |
| (Rev.8 Nov 2007) | 2.2 | Scope |
| (Rev.9 Mar 2009) | 2.3 | Extent Of Overall And Close-Up Surveys |
| (Rev.10 Mar 2011) | 2.4 | Extent Of Thickness Measurements |
| (Rev.11 July 2011) | 2.5 | Extent Of Tank Testing |
| (Rev.12 May 2012) | 2.6 | Additional Special Survey Requirements After Determining Compliance With SOLAS XII/12 And XII/13 |
| (Rev.13 June 2013) | 3. | Annual Survey |
| (Rev.14 Jan 2014) | 3.1 | Schedule |
| (Rev.15 Feb 2015) | 3.2 | Scope |
| (Rev.16 Nov 2016) | 3.3 | Additional Annual Survey Requirements After Determining Compliance With SOLAS XII/12 And XII/13 |
| (Rev.17 Aug 2017) | 4. | Intermediate Survey |
| (Rev.18 Jan 2018) | 4.1 | Schedule |
| (Rev.19 May 2019) | 4.2 | Scope |
| | 5. | Preparation For Survey |
| | 5.1 | Survey Programme |
| | 5.2 | Conditions For Survey |
| | 5.3 | Access To Structures |
| | 5.4 | Equipment For Survey |
| | 5.5 | Rescue and emergency response equipment |
| | 5.6 | Survey At Sea Or At Anchorage |
| | 5.7 | Survey Planning Meeting |
| | 6. | Documentation On Board |
| | 6.1 | General |
| | 6.2 | Survey Report File |
| | 6.3 | Supporting Documents |
| | 6.4 | Review Of Documentation On Board |
| | 7. | Procedures For Thickness Measurement |
| | 7.1 | General |
| | 7.2 | Certification Of Thickness Measurement Firm |
| | 7.3 | Number and Locations of Measurements |
| | 7.4 | Reporting |

Z10.5
(cont)

8. Acceptance Criteria

- 8.1 General
- 8.2 Acceptance criteria for pitting corrosion of CSR ships
- 8.3 Acceptance criteria for edge corrosion of CSR ships
- 8.4 Acceptance criteria for grooving corrosion of CSR ships

9. Reporting and Evaluation of Survey

- 9.1 Evaluation of Survey Report
- 9.2 Reporting

Z10.5
(cont)**ENCLOSURES**

- Table I: Minimum Requirements For Close-Up Survey At Special Hull Survey
- Table II: Minimum Requirements For Thickness Measurements At Special Hull Survey Of Double Skin Bulk Carriers
- Table III: Requirements For Extent Of Thickness Measurements At Those Areas Of Substantial Corrosion Of Double Skin Bulk Carriers Within The Cargo Length Area
- Table IV: Minimum Requirements Of Overall And Close-Up Survey And Thickness Measurements At Intermediate Survey Of Double Skin Bulk Carriers
- Table V: Procedures For Certification Of Firms Engaged In Thickness Measurement Of Hull Structures
- Table VI: Survey Reporting Principles
- Table VII: Executive Hull Summary
-
- Annex I:** Guidelines For Technical Assessment In Conjunction With Planning For Enhanced Surveys Of Double Skin Bulk Carriers - Special Survey - Hull
- Annex II:** Recommended Procedures For Thickness Measurements Of Double Skin Bulk Carriers
- IACS Recommended Procedures For Thickness Measurements Of Double Skin Bulk Carriers Built Under IACS Common Structural Rules
- Annex IIIA:** Survey Programme
- Appendix 1 List of Plans
Appendix 2 Survey Planning Questionnaire
Appendix 3 Other documentation
- Annex IIIB:** Survey Planning Questionnaire

Z10.5
(cont)

Note:

1. This Unified Requirement is to be implemented by IACS Members and Associates from 1 January 2005.
2. Changes introduced in Rev.1 are to be uniformly implemented from 1 July 2006.
3. Changes introduced in Rev. 2 (para. 1.4, 5.5.4, 5.5.6 and 7.1.3) are to be uniformly applied by IACS Societies on surveys commenced on or after 1 January 2007.
4. Changes introduced in Rev. 3 (para. 2.6 and 3.3) are to be uniformly applied by IACS Societies on surveys commenced on or after 1 January 2007.
5. Changes introduced in Rev.4 are to be uniformly applied by IACS Societies on surveys commenced on or after 1 July 2007.
6. Changes introduced in Rev.5 are to be uniformly implemented for surveys commenced on or after 1 January 2008, whereas statutory requirements of IMO Res. MSC 197(80) apply on 1 January 2007.
7. Changes introduced in Rev.6 are to be uniformly implemented by IACS Societies for surveys commenced on or after 1 July 2008.
8. Changes introduced in Rev.7 are to be uniformly applied by IACS Societies on surveys commenced on or after 1 July 2008.
9. Changes introduced in Rev.8 are to be uniformly applied by IACS Societies for surveys commenced on or after the 1 January 2009.
10. Changes introduced in Rev.9 are to be uniformly applied by IACS Societies for surveys commenced on or after 1 July 2010.

As for the requirements regarding semi-hard coatings, these coatings, if already applied, will not be accepted from the next special or intermediate survey commenced on or after 1 July 2010, whichever comes first, with respect to waiving the annual internal examination of the ballast tanks.

11. Changes introduced in Rev.10 are to be uniformly applied by IACS Societies for surveys commenced on or after 1 July 2012.
12. Changes introduced in Rev.11 are to be uniformly applied by IACS Societies for surveys commenced on or after 1 July 2012.
13. Changes introduced in Rev.12 are to be uniformly applied by IACS Societies for surveys commenced on or after 1 January 2013.
14. The changes to section 6 introduced in Rev.13 are to be uniformly applied by IACS Societies for surveys commenced on or after 1 July 2016.
The other changes introduced in Rev.13 are to be uniformly applied by IACS Societies for surveys commenced on or after 1 July 2014.
15. Changes introduced in Rev.14 are to be uniformly applied by IACS Societies for surveys commenced on or after 1 January 2015.

Z10.5
(cont)

16. Changes introduced in Rev.15 are to be uniformly applied by IACS Societies for surveys commenced on or after 1 July 2016.
17. Changes introduced in Rev.16 are to be uniformly applied by IACS Societies for surveys commenced on or after 1 January 2018.
18. Changes introduced in Rev.17 are to be uniformly applied by IACS Societies for surveys commenced on or after 1 January 2019.
19. Changes introduced in Rev.18 are to be uniformly applied by IACS Societies for surveys commenced on or after 1 January 2019.
20. Changes introduced in Rev.19 are to be uniformly applied by IACS Societies for surveys commenced on or after 1 July 2020.

Z10.5
(cont)**1. GENERAL****1.1 Application**

1.1.1 The requirements apply to all self-propelled Double Skin Bulk Carriers.

1.1.2 For bulk carriers with hybrid cargo hold arrangements, e.g. with some cargo holds of single side skin and others of double side skin, the requirements of UR Z10.2 are to apply to cargo holds of single side skin.

1.1.3 The requirements apply to surveys of hull structure and piping systems in way of cargo holds, cofferdams, pipe tunnels, void spaces, fuel oil tanks within the cargo length area and all ballast tanks. The requirements are additional to the classification requirements applicable to the remainder of the ship. Refer to Z7.

1.1.4 The requirements contain the minimum extent of examination, thickness measurements and tank testing. The survey is to be extended when Substantial Corrosion and/or structural defects are found and include additional close-up survey when necessary.

1.2 Definitions**1.2.1 Double Skin Bulk Carrier**

A Double Skin Bulk Carrier is a ship which is constructed generally with single deck, double bottom, top-side tanks and hopper side tanks in cargo spaces, and is intended primarily to carry dry cargo in bulk, including such types as ore carriers and combination carriers¹⁾, in which all cargo holds are bounded by a double-side skin (regardless of the width of the wing space). Ore and combination carriers are not covered by the IACS Common Structural Rules.

1.2.2 Ballast Tank

A Ballast Tank is a tank which is used solely for salt water ballast, or, where applicable, a space which is used for both cargo and salt water ballast will be treated as a Ballast tank when substantial corrosion has been found in that space. A Double Side Tank is to be considered as a separate tank even if it is in connection to either the topside tank or the hopper side tank.

1.2.3 Spaces

Spaces are separate compartments including holds, tanks, cofferdams and void spaces bounding cargo holds, decks and the outer hull.

1.2.4 Overall Survey

An Overall Survey is a survey intended to report on the overall condition of the hull structure and determine the extent of additional close-up surveys.

1.2.5 Close-up Survey

A Close-up Survey is a survey where the details of structural components are within the close visual inspection range of the Surveyor, i.e. normally within reach of hand.

1) For combination carriers with longitudinal bulkheads additional requirements are specified in UR Z10.1 or UR Z10.4, as applicable.

Z10.5 (cont)

1.2.6 Transverse Section

A Transverse Section includes all longitudinal members such as plating, longitudinals and girders at the deck, sides, bottom, inner bottom, hopper sides, inner sides top wing inner sides and longitudinal bulkheads. For transversely framed vessels, a transverse section includes adjacent frames and their end connections in way of transverse sections.

1.2.7 Representative Space

Representative Spaces are those which are expected to reflect the condition of other spaces of similar type and service and with similar corrosion prevention systems. When selecting Representative Spaces account is to be taken of the service and repair history onboard and identifiable Critical Structural Areas and/or Suspect Areas.

NOTE: Critical Structural Areas are defined in Annex I.

1.2.8 Suspect Area

Suspect Areas are locations showing Substantial Corrosion and/or are considered by the surveyor to be prone to rapid wastage.

1.2.9 Critical Structural Area

Critical Structural Areas are locations which have been identified from calculations to require monitoring or from the service history of the subject ship or from similar or sister ships (if available) to be sensitive to cracking, buckling or corrosion which would impair the structural integrity of the ship.

1.2.10 Renewal Thickness

Renewal thickness (t_{ren}) is the minimum allowable thickness, in mm, below which renewal of structural members is to be carried out.

1.2.11 Substantial Corrosion

Substantial Corrosion is an extent of corrosion such that assessment of corrosion pattern indicates a wastage in excess of 75% of allowable margins, but within acceptable limits. For vessels built under the IACS Common Structural Rules, substantial corrosion is an extent of corrosion such that the assessment of the corrosion pattern indicates a measured thickness between $t_{ren} + 0.5\text{mm}$ and t_{ren} .

1.2.12 Corrosion Prevention System

A Corrosion Prevention System is normally considered a full hard protective coating.

Hard Protective Coating is usually to be epoxy coating or equivalent. Other coating systems, which are neither soft nor semi-hard coatings, may be considered acceptable as alternatives provided that they are applied and maintained in compliance with the manufacturer's specifications.

Z10.5 (cont)

1.2.13 Coating Condition

Coating condition is defined as follows:

- **GOOD** condition with only minor spot rusting,
- **FAIR** condition with local breakdown at edges of stiffeners and weld connections and/or light rusting over 20% or more of areas under consideration, but less than as defined for POOR condition,
- **POOR** condition with general breakdown of coating over 20% or more, or hard scale at 10% or more, of areas under consideration

1.2.14 Cargo Length Area

Cargo Length Area is that part of the ship which contains cargo holds and adjacent areas including fuel tanks, cofferdams, ballast tanks and void spaces.

1.2.15 Special Consideration

Special consideration or specially considered (in connection with close-up surveys and thickness measurements) means sufficient close-up inspection and thickness measurements are to be taken to confirm the actual average condition of the structure under the coating.

1.2.16 Prompt and Thorough Repair

A Prompt and Thorough Repair is a permanent repair completed at the time of survey to the satisfaction of the Surveyor, therein removing the need for the imposition of any associated condition of class.

1.2.17 Pitting Corrosion

Pitting corrosion is defined as scattered corrosion spots/areas with local material reductions which are greater than the general corrosion in the surrounding area. Pitting intensity is defined in Figure 1.

1.2.18 Edge Corrosion

Edge corrosion is defined as local corrosion at the free edges of plates, stiffeners, primary support members and around openings. An example of edge corrosion is shown in Figure 2.

1.2.19 Grooving Corrosion

Grooving corrosion is typically local material loss adjacent to weld joints along abutting stiffeners and at stiffener or plate butts or seams. An example of groove corrosion is shown in Figure 3.

Z10.5
(cont)

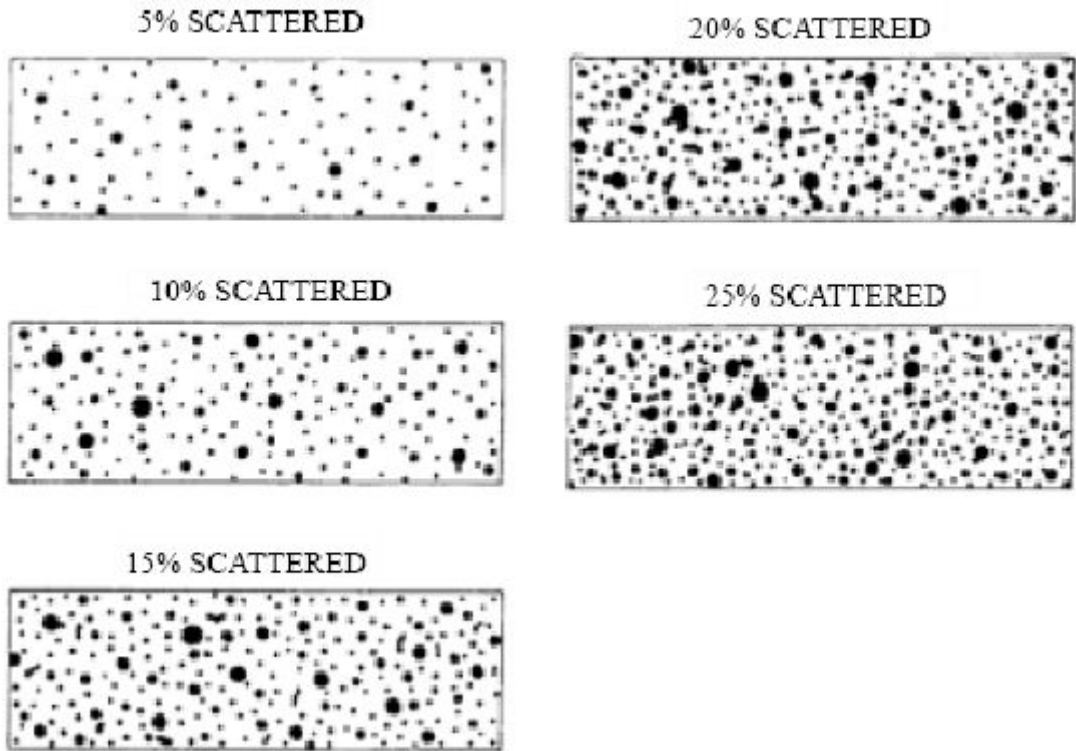


Figure 1 - Pitting intensity diagrams

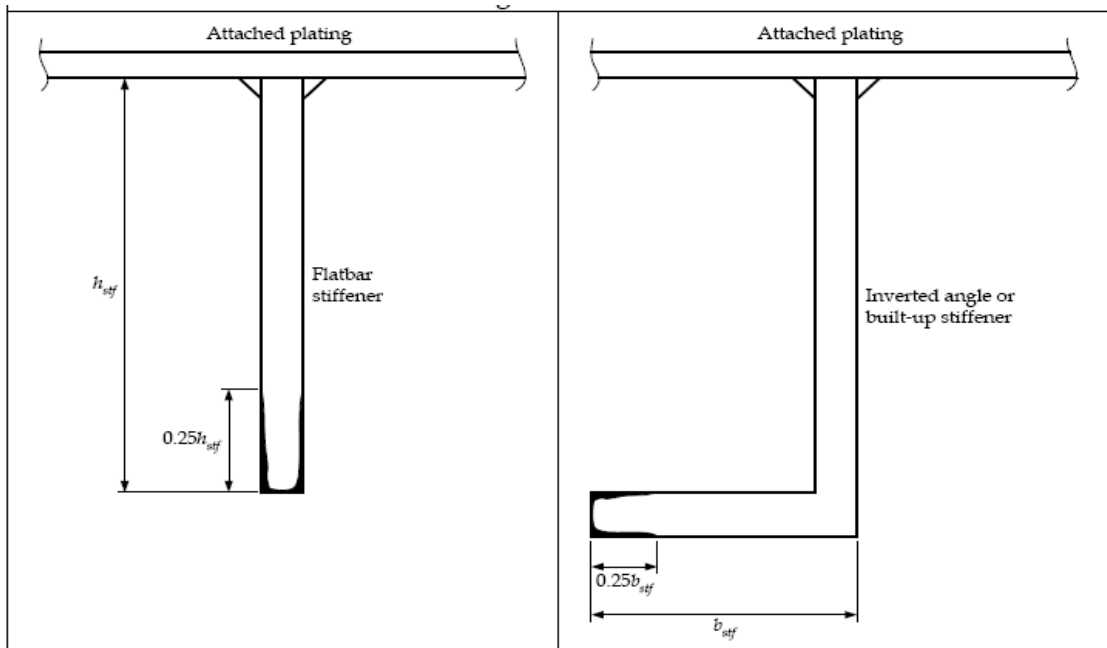


Figure 2 - Edge corrosion

Z10.5 (cont)

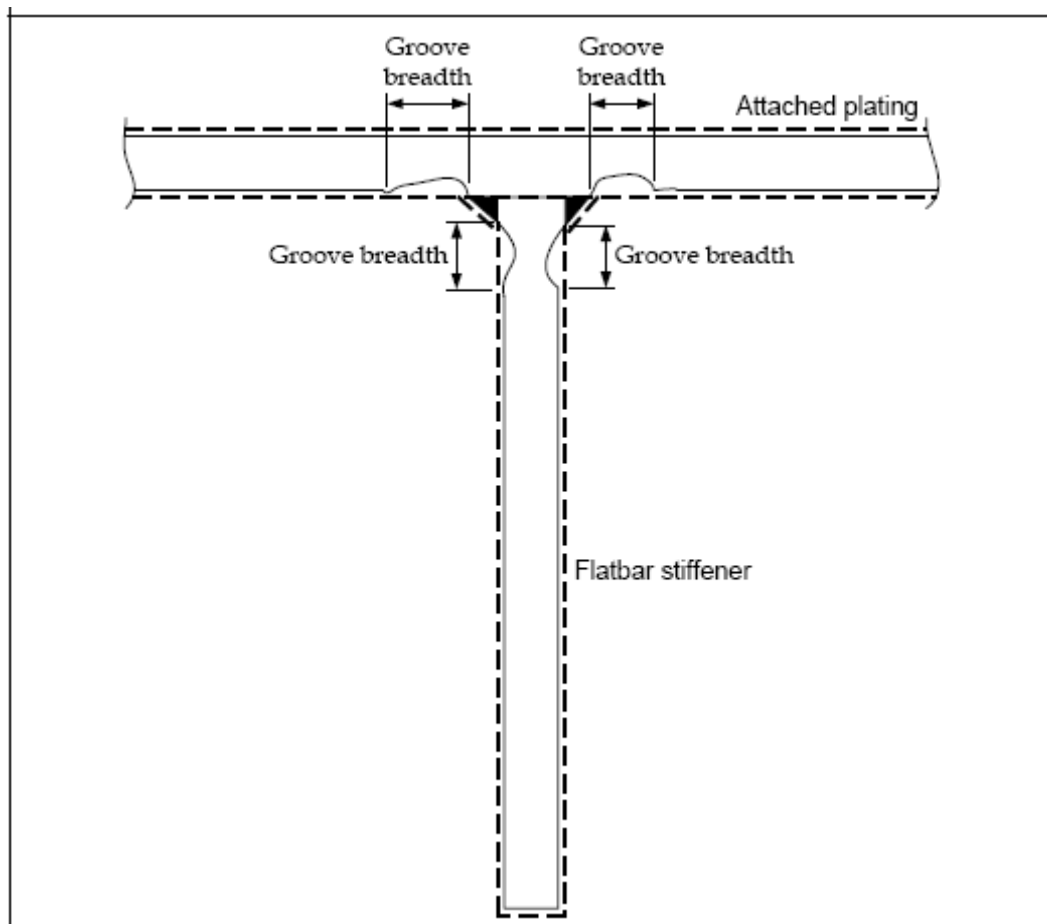


Figure 3 - Grooving corrosion

1.3 Repairs

1.3.1 Any damage in association with wastage over the allowable limits (including buckling, grooving, detachment or fracture), or extensive areas of wastage over the allowable limits, which affects or, in the opinion of the Surveyor, will affect the vessel's structural, watertight or weathertight integrity, is to be promptly and thoroughly (see 1.2.15) repaired.

Areas to be considered include:

- bottom structure and bottom plating
- side structure and side plating
- deck structure and deck plating
- inner bottom structure and inner bottom plating
- inner side structure and inner side plating
- watertight or oiltight bulkheads
- hatch covers and hatch coamings
- items in 3.2.3.10.

Z10.5
(cont)

For locations where adequate repair facilities are not available, consideration may be given to allow the vessel to proceed directly to a repair facility. This may require discharging the cargo and/or temporary repairs for the intended voyage.

1.3.2 Additionally, when a survey results in the identification of structural defects or corrosion, either of which, in the opinion of the Surveyor, will impair the vessel's fitness for continued service, remedial measures are to be implemented before the ship continues in service.

1.3.3 Where the damage found on structure mentioned in Para. 1.3.1 is isolated and of a localised nature which does not affect the ship's structural integrity, consideration may be given by the surveyor to allow an appropriate temporary repair to restore watertight or weather tight integrity and impose a condition of class in accordance with IACS PR 35, with a specific time limit.

1.4 Thickness measurements and close-up surveys

In any kind of survey, i.e. special, intermediate, annual or other surveys having the scope of the foregoing ones, thickness measurements, when required by Table II, of structures in areas where close-up surveys are required shall be carried out simultaneously with close-up surveys.

Z10.5 (cont)

2. SPECIAL SURVEY

2.1 Schedule

2.1.1 Special Surveys are to be carried out at 5 years intervals to renew the Classification Certificate.

2.1.2 The first Special Survey is to be completed within 5 years from the date of the initial classification survey and thereafter within 5 years from the credited date of the previous Special Survey. However, an extension of class of 3 months maximum beyond the 5th year can be granted in exceptional circumstances.

In this case, the next period of class will start from the expiry date of the Special Survey before the extension was granted.

2.1.3 For surveys completed within 3 months before the expiry date of the Special Survey, the next period of class will start from the expiry date of the Special Survey. For surveys completed more than 3 months before the expiry date of the Special Survey, the period of class will start from the survey completion date. In cases where the vessel has been laid up or has been out of service for a considerable period because of a major repair or modification and the owner elects to only carry out the overdue surveys, the next period of class will start from the expiry date of the special survey. If the owner elects to carry out the next due special survey, the period of class will start from the survey completion date.

2.1.4 The Special Survey may be commenced at the 4th Annual Survey and be progressed with a view to completion by the 5th anniversary date. When the Special Survey is commenced prior to the 4th Annual Survey, the entire survey is to be completed within 15 months if such work is to be credited to the Special Survey.

2.1.5 Concurrent crediting to both Intermediate Survey (IS) and Special Survey (SS) for surveys and thickness measurements of spaces are not acceptable.

2.2 Scope

2.2.1 General

2.2.1.1 The Special Survey is to include, in addition to the requirements of the annual survey, examination, tests and checks of sufficient extent to ensure that the hull and related piping, as required in 2.2.1.3, is in a satisfactory condition and is fit for its intended purpose for the new period of class of 5 years to be assigned, subject to proper maintenance and operation and to periodical surveys being carried out at the due dates.

2.2.1.2 All cargo holds, ballast tanks, including double bottom and double side tanks, pipe tunnels, cofferdams and void spaces bounding cargo holds, decks and outer hull are to be examined, and this examination is to be supplemented by thickness measurement and testing as required in 2.4 and 2.5, to ensure that the structural integrity remains effective. The aim of the examination is to discover Substantial Corrosion, significant deformation, fractures, damages or other structural deterioration, that may be present.

2.2.1.3 All piping systems within the above spaces are to be examined and operationally tested to working pressure to attending Surveyor's satisfaction to ensure that tightness and condition remain satisfactory.

Some member Societies use the term "Special Periodical Survey" others use the term "Class Renewal Survey" instead of the term "Special Survey".

Z10.5
(cont)

2.2.1.4 The survey extent of ballast tanks converted to void spaces is to be specially considered in relation to the requirements for ballast tanks.

2.2.2 Dry Dock Survey

2.2.2.1 A survey in dry dock is to be a part of the Special Survey. The overall and close-up surveys and thickness measurements, as applicable, of the lower portions of the cargo holds and ballast tanks are to be carried out in accordance with the applicable requirements for Special Surveys, if not already performed.

Note: Lower portions of the cargo holds and ballast tanks are considered to be the parts below light ballast water line.

2.2.3 Tank Protection

2.2.3.1 Where provided, the condition of the corrosion prevention system of ballast tanks is to be examined. For ballast tanks, excluding double bottom tanks, where a hard protective coating is found in POOR condition, and it is not renewed, where soft or semi-hard coating has been applied, or where a hard protective coating has not been applied from the time of construction, the tanks in question are to be examined at annual intervals. Thickness measurements are to be carried out as deemed necessary by the Surveyor.

When such a breakdown of hard protective coating is found in water ballast double bottom tanks and it is not renewed, where a soft or semi-hard coating is applied, or where a hard Protective Coating has not been applied from the time of construction, the tanks in question may be examined at annual intervals. When considered necessary by the Surveyor, or where extensive corrosion exists, thickness measurements are to be carried out.

2.2.3.2

Where a hard protective coating is provided in cargo holds, as defined by Z9 and is found in GOOD condition, the extent of close-up surveys and thickness measurements may be specially considered.

2.2.4 Hatch Covers and Coamings

The hatch covers and coamings are to be surveyed as follows:

2.2.4.1 A thorough inspection of the items listed in 3.2.3 is to be carried out, in addition to all hatch covers and coamings.

2.2.4.2 Checking of the satisfactory operation of all mechanically operated hatch covers is to be made, including:

- stowage and securing in open condition;
- proper fit and efficiency of sealing in closed condition;
- operational testing of hydraulic and power components, wires, chains, and link drives.

2.2.4.3 Checking the effectiveness of sealing arrangements of all hatch covers by hose testing or equivalent.

2.2.4.4 Close-up survey and thickness measurement¹ of the hatch cover and coaming plating and stiffeners is to be carried out as given in Table I and Table II.

Z10.5 (cont)

- 1 Subject to cargo hold hatch covers of approved design which structurally have no access to the internals, close-up survey/thickness measurement shall be done of accessible parts of hatch covers structures.

2.3 Extent of Overall and Close-up Surveys

2.3.1 An overall survey of all tanks and spaces is to be carried out at each Special Survey. Fuel oil tanks in the cargo length area are to be surveyed as follows:

| Special Survey No.1 Age ≤ 5 | Special Survey No.2 $5 < \text{Age} \leq 10$ | Special Survey No.3 $10 < \text{Age} \leq 15$ | Special Survey No.4 and Subsequent $15 < \text{Age}$ |
|---|--|---|---|
| None | One | Two | Half, minimum two |
| <p>Notes</p> <ol style="list-style-type: none"> 1. These requirements apply to tanks of integral (structural) type. 2. If a selection of tanks is accepted to be examined, then different tanks are to be examined at each special survey, on a rotational basis. 3. Peak tanks (all uses) are subject to internal examination at each special survey. 4. At special survey No.3 and subsequent special surveys, one deep tank for fuel oil in the cargo area is to be included, if fitted. | | | |

2.3.2 The minimum requirements for close-up surveys at Special Surveys are given in Table I/Sheet 1 for double skin bulk carriers, excluding ore carriers and in Table I/Sheet 2 for ore carriers, respectively.

2.3.3 The Surveyor may extend the close-up survey as deemed necessary taking into account the maintenance of the spaces under survey, the condition of the corrosion prevention system and where spaces have structural arrangements or details which have suffered defects in similar spaces or on similar ships according to available information.

2.3.4 For areas in spaces where hard protective coatings are found to be in a GOOD condition, the extent of close-up surveys according to Table I may be specially considered, refer also to 2.2.3.2.

2.4 Extent of Thickness Measurements

2.4.1 The minimum requirements for thickness measurements at Special Surveys are given in Table II.

2.4.2 Provisions for extended measurements for areas with Substantial Corrosion are given in Table III and as may be additionally specified in the Survey Programme as required by 5.1. These extended thickness measurements are to be carried out before the survey is credited as completed. Suspect Areas identified at previous surveys are to be examined. Areas of substantial corrosion identified at previous surveys are to have thickness measurements taken.

For vessels built under IACS Common Structural Rules, the identified substantial corrosion areas may be:

Z10.5
(cont)

a) protected by coating applied in accordance with the coating manufacturer's requirements and examined at annual intervals to confirm the coating in way is still in good condition, or alternatively

b) required to be measured at annual intervals.

2.4.3 The Surveyor may further extend the thickness measurements as deemed necessary.

2.4.4 For areas in tanks where hard protective coatings are found to be in a GOOD condition, the extent of thickness measurements according to Table II may be specially considered. Refer also to 2.2.3.2.

2.4.5 Transverse sections are to be chosen where the largest reductions are suspected to occur or are revealed from deck plating measurements, one of which is to be in the amidships area.

2.4.6 Representative thickness measurement to determine both general and local levels of corrosion in the transverse web frames in all water ballast tanks is to be carried out. Thickness measurement is also to be carried out to determine the corrosion levels on the transverse bulkhead plating. The extent of thickness measurements may be specially considered provided the surveyor is satisfied by the close-up survey, that there is no structural diminution, and the hard protective coating where applied remains efficient.

2.5 Extent of Tank Testing

2.5.1 All boundaries of water ballast tanks, deep tanks and cargo holds used for water ballast within the cargo length area are to be pressure tested. For Fuel Oil Tanks, only representative tanks are to be pressure tested.

2.5.2 The Surveyor may extend the tank testing as deemed necessary.

2.5.3 Boundaries of ballast tanks are to be tested with a head of liquid to the top of air pipes.

2.5.4 Boundaries of ballast holds are to be tested with a head of liquid to near to the top of hatches.

2.5.5 Boundaries of fuel oil tanks are to be tested with a head of liquid to the highest point that liquid will rise under service conditions. Tank testing of fuel oil tanks may be specially considered based on a satisfactory external examination of the tank boundaries, and a confirmation from the Master stating that the pressure testing has been carried out according to the requirements with satisfactory results.

2.5.6 The testing of double bottom tanks and other spaces not designed for the carriage of liquid may be omitted, provided a satisfactory internal examination together with an examination of the tanktop is carried out.

Z10.5
(cont)**2.6 Additional special survey requirements after determining compliance with SOLAS XII/12 and XII/13**

2.6.1 For ships complying with the requirements of SOLAS XII/12 for hold, ballast and dry space water level detectors, the special survey is to include an examination and a test of the water ingress detection systems and of their alarms.

2.6.2 For ships complying with the requirements of SOLAS XII/13 for the availability of pumping systems, the special survey is to include an examination and a test of the means for draining and pumping ballast tanks forward of the collision bulkhead and bilges of dry spaces any part of which extends forward of the foremost cargo hold, and of their controls.

Z10.5
(cont)**3. ANNUAL SURVEY****3.1 Schedule**

3.1.1 Annual Surveys are to be held within 3 months before or after the anniversary date from the date of the initial classification survey or of the date credited for the last Special Survey.

3.2 Scope**3.2.1 General**

3.2.1.1 The survey is to consist of an examination for the purpose of ensuring, as far as practicable, that the hull, weather decks, hatch covers, coamings and piping are maintained in a satisfactory condition and should take into account the service history, condition and extent of the corrosion prevention system of ballast tanks and areas identified in the survey report file.

3.2.2 Examination of the hull

3.2.2.1 Examination of the hull plating and its closing appliances as far as can be seen.

3.2.2.2 Examination of watertight penetrations as far as practicable.

3.2.3 Examination of weather decks, hatch covers and coamings

3.2.3.1 Confirmation is to be obtained that no unapproved changes have been made to the hatch covers, hatch coamings and their securing and sealing devices since the last survey.

3.2.3.2 A thorough survey of cargo hatch covers and coamings is only possible by examination in the open as well as closed positions and is to include verification of proper opening and closing operation. As a result, the hatch cover sets within the forward 25% of the ship's length and at least one additional set, such that all sets on the ship are assessed at least once in every 5-year period, are to be surveyed open, closed and in operation to the full extent on each direction at each annual survey, including:

- .1 stowage and securing in open condition;
- .2 proper fit and efficiency of sealing in closed condition; and
- .3 operational testing of hydraulic and power components, wires, chains, and link drives.

The closing of the covers is to include the fastening of all peripheral, and cross joint cleats or other securing devices. Particular attention is to be paid to the condition of the hatch covers in the forward 25% of the ship's length, where sea loads are normally greatest.

3.2.3.3 If there are indications of difficulty in operating and securing hatch covers, additional sets above those required by 3.2.3.2, at the discretion of the surveyor, are to be tested in operation.

3.2.3.4 Where the cargo hatch securing system does not function properly, repairs are to be carried out under the supervision of the Classification Society. Where hatch covers or coamings undergo substantial repairs, the strength of securing devices should be upgraded to comply with S21.5 of UR S21.

Z10.5
(cont)

3.2.3.5 For each cargo hatch cover set, at each annual survey, the following items are to be surveyed:

1. Cover panels, including side plates, and stiffener attachments that may be accessible in the open position by close-up survey (for corrosion, cracks, deformation);
2. sealing arrangements of perimeter and cross joints (gaskets for condition and permanent deformation, flexible seals on combination carriers, gasket lips, compression bars, drainage channels and non return valves);
3. clamping devices, retaining bars, cleating (for wastage, adjustment, and condition of rubber components);
4. closed cover locating devices (for distortion and attachment);
5. chain or rope pulleys;
6. guides;
7. guide rails and track wheels;
8. stoppers;
9. wires, chains, tensioners, and gypsies;
10. hydraulic system, electrical safety devices and interlocks; and
11. end and interpanel hinges, pins and stools where fitted.

3.2.3.6 At each hatchway, at each annual survey, the coamings, with plating, stiffeners and brackets are to be checked for corrosion, cracks and deformation, especially of the coaming tops, including close-up survey.

3.2.3.7 Where considered necessary, the effectiveness of sealing arrangements may be proved by hose or chalk testing supplemented by dimensional measurements of seal compressing components.

3.2.3.8 Where portable covers, wooden or steel pontoons are fitted, checking the satisfactory condition, where applicable, of:

- wooden covers and portable beams, carriers or sockets for the portable beam, and their securing devices;
- steel pontoons, including close-up survey of hatchcover plating;
- tarpaulins;
- cleats, battens and wedges;
- hatch securing bars and their securing devices;
- loading pads/bars and the side plate edge;
- guide plates and chocks;
- compression bars, drainage channels and drain pipes (if any).

3.2.3.9 Examination of flame screens on vents to all bunker tanks.

3.2.3.10 Examination of bunker and vent piping systems, including ventilators.

Z10.5
(cont)

3.2.4 Examination of Cargo Holds.

3.2.4.1 Double Skin Bulk Carriers 10-15 years of age. The following is to apply:

- a) Overall survey of two selected cargo holds.
- b) When considered necessary by the Surveyor, or where extensive corrosion exists, thickness measurement is to be carried out. If the results of these thickness measurements indicate that Substantial Corrosion is found, the extent of thickness measurements is to be increased in accordance with Table III. These extended thickness measurements are to be carried out before the annual survey is credited as complete. Suspect Areas identified at previous surveys are to be examined. Areas of substantial corrosion identified at previous surveys are to have thickness measurements taken.

For vessels built under the IACS Common Structural Rules, the annual thickness gauging may be omitted where a protective coating has been applied in accordance with the coating manufacturer's requirements and is maintained in good condition.

- c) All piping and penetrations in cargo holds, including overboard piping, are to be examined.

3.2.4.2 Double Skin Bulk Carriers over 15 years of age. The following is to apply:

- a) Overall survey of all cargo holds.
- b) When considered necessary by the Surveyor, or where extensive corrosion exists, thickness measurement is to be carried out. If the results of these thickness measurements indicate that Substantial Corrosion is found, the extent of thickness measurements is to be increased in accordance with Table III. These extended thickness measurements are to be carried out before the annual survey is credited as complete. Suspect Areas identified at previous surveys are to be examined. Areas of substantial corrosion identified at previous surveys are to have thickness measurements taken.

For vessels built under the IACS Common Structural Rules, the annual thickness gauging may be omitted where a protective coating has been applied in accordance with the coating manufacturer's requirements and is maintained in good condition.

- c) All piping and penetrations in cargo holds, including overboard piping, are to be examined.

3.2.5 Examination of Ballast Tanks

3.2.5.1 Examination of Ballast Tanks when required as a consequence of the results of the Special Survey and Intermediate Survey is to be carried out. When considered necessary by the surveyor, or where extensive corrosion exists, thickness measurements are to be carried out. If the results of these thickness measurements indicate that Substantial Corrosion is found, the extent of thickness measurements is to be increased in accordance with Table III. These extended thickness measurements are to be carried out before the survey is credited as complete.

Suspect Areas identified at previous surveys are to be examined. Areas of substantial corrosion identified at previous surveys are to have thickness measurements taken.

Z10.5
(cont)

For vessels built under the IACS Common Structural Rules, the annual thickness gauging may be omitted where a protective coating has been applied in accordance with the coating manufacturer's requirements and is maintained in good condition.

3.3 Additional annual survey requirements after determining compliance with SOLAS XII/12 and XII/13

3.3.1 For ships complying with the requirements of SOLAS XII/12 for hold, ballast and dry space water level detectors, the annual survey is to include an examination and a test, at random, of the water ingress detection systems and of their alarms.

3.3.2 For ships complying with the requirements of SOLAS XII/13 for the availability of pumping systems, the annual survey is to include an examination and a test, of the means for draining and pumping ballast tanks forward of the collision bulkhead and bilges of dry spaces any part of which extends forward of the foremost cargo hold, and of their controls.

Z10.5
(cont)**4. INTERMEDIATE SURVEY****4.1 Schedule**

4.1.1 The Intermediate Survey is to be held at or between either the 2nd or 3rd Annual Survey.

4.1.2 Those items, which are additional to the requirements of the Annual Survey, may be surveyed either at or between the 2nd and 3rd Annual Survey.

4.1.3 Concurrent crediting to both Intermediate Survey (IS) and Special Survey (SS) for surveys and thickness measurements of spaces are not acceptable.

4.2 Scope**4.2.1 General**

4.2.1.1 The survey extent is dependent on the age of the vessel as specified in 4.2.2 to 4.2.4 and shown in Table IV.

4.2.2 Double Skin Bulk Carriers 5 - 10 years of age. The following is to apply:

4.2.2.1 Ballast Tanks

- a) For tanks used for water ballast, an overall survey of representative tanks selected by the Surveyor is to be carried out. The selection is to include fore and aft peak tanks and a number of other tanks, taking into account the total number and type of ballast tanks. If such overall survey reveals no visible structural defects, the examination may be limited to verification that the corrosion prevention system remains efficient.
- b) Where POOR coating condition, corrosion or other defects are found in water ballast tanks or where a hard protective coating was not applied from the time of construction, the examination is to be extended to other ballast tanks of the same type.
- c) In ballast tanks other than double bottom tanks, where a hard protective coating is found in POOR condition, and it is not renewed, or where soft or semi-hard coating has been applied, or where a hard protective coating was not applied from the time of construction, the tanks in question are to be examined and thickness measurements carried out as considered necessary at annual intervals. When such breakdown of hard protective coating is found in ballast double bottom tanks, or where a soft or semi-hard coating has been applied, or where a hard protective coating has not been applied, the tanks in question may be examined at annual intervals. When considered necessary by the Surveyor, or where extensive corrosion exists, thickness measurements are to be carried out.
- d) In addition to the requirements above, suspect areas identified at previous surveys are to be overall and close-up surveyed.

Z10.5 (cont)

4.2.2.2 Cargo Holds

- a) An overall survey of all cargo holds is to be carried out.
- b) Where considered necessary by the Surveyor as a result of the overall survey as described in 4.2.2.2a, the survey is to be extended to include a close-up survey of those areas of structure in the cargo holds selected by the Surveyor.

4.2.2.3 Extent of Thickness Measurements

- a) Thickness measurements are to be carried out to an extent sufficient to determine both general and local corrosion levels at areas subject to close-up survey, where required as per 4.2.2.2b), and as provided in 4.2.2.1c).
- b) The extent of thickness measurement may be specially considered provided the Surveyor is satisfied by the close-up survey that there is no structural diminution and the hard protective coatings are found to be in a GOOD condition.
- c) Where Substantial Corrosion is found, the extent of thickness measurements is to be increased in accordance with the requirements of Table III. These extended thickness measurements are to be carried out before the survey is credited as completed. Suspect Areas identified at previous surveys are to be examined. Areas of substantial corrosion identified at previous surveys are to have thickness measurements taken.

For vessels built under IACS Common Structural Rules, the identified substantial corrosion areas may be:

- a) protected by coating applied in accordance with the coating manufacturer's requirements and examined at annual intervals to confirm the coating in way is still in good condition, or alternatively
- b) required to be measured at annual intervals.
- d) Where the hard protective coating in cargo holds, as defined by Z9 is found to be in GOOD condition, the extent of close-up surveys and thickness measurements may be specially considered.

Explanatory note:

For existing bulk carriers, where owners may elect to coat or recoat cargo holds as noted above, consideration may be given to the extent of the close-up and thickness measurement surveys. Prior to the coating of cargo holds of existing ships, scantlings are to be ascertained in the presence of a surveyor.

4.2.3 Double Skin Bulk Carriers 10 – 15 years of age. The following is to apply:

4.2.3.1 The requirements of the Intermediate Survey are to the same extent as the previous Special Survey as required in 2 and 5.1. However, internal examination of fuel oil tanks and pressure testing of all tanks are not required unless deemed necessary by the attending Surveyor.

4.2.3.2 In application of 4.2.3.1, the intermediate survey may be commenced at the second annual survey and be progressed during the succeeding year with a view to completion at the third annual survey in lieu of the application of 2.1.4.

Z10.5
(cont)

4.2.3.3 In application of 4.2.3.1, an under water survey may be considered in lieu of the requirement of 2.2.2.

4.2.4 Double Skin Bulk Carriers over 15 years of age. The following is to apply:

4.2.4.1 The requirements of the Intermediate Survey are to be to the same extent as the previous Special Survey as required in 2 and 5.1.

However, internal examination of fuel oil tanks and pressure testing of all tanks are not required unless deemed necessary by the attending Surveyor.

4.2.4.2 In application of 4.2.4.1, the intermediate survey may be commenced at the second Annual Survey and be progressed during the succeeding year with a view to completion at the third Annual Survey in lieu of the application of 2.1.4.

4.2.4.3 In application of 4.2.4.1, a survey in dry dock is to be part of the Intermediate Survey. The overall and close-up surveys and thickness measurements, as applicable, of the lower portions of the cargo holds and ballast tanks are to be carried out in accordance with the applicable requirements for Intermediate Surveys, if not already performed.

Note: Lower portions of the cargo holds and ballast tanks are considered to be the parts below light ballast water line.

Z10.5 (cont)

5. PREPARATION FOR SURVEY

5.1 Survey Programme

5.1.1 The Owner in co-operation with the Classification Society is to work out a specific Survey Programme prior to the commencement of any part of:

- the Special Survey
- the Intermediate Survey for double skin bulk carriers over 10 years of age.

The Survey Programme is to be in a written format based on the information in Annex IIIA. The survey is not to commence until the Survey programme has been agreed.

5.1.1.1 Prior to the development of the survey programme, the survey planning questionnaire is to be completed by the owner based on the information set out in Annex IIIB, and forwarded to the Classification Society.

5.1.1.2 The Survey Programme at Intermediate Survey may consist of the Survey Programme at the previous Special Survey supplemented by the Executive Hull Summary of that Special Survey and later relevant survey reports.

The Survey Programme is to be worked out taking into account any amendments to the survey requirements implemented after the last Special Survey carried out.

5.1.2 In developing the Survey Programme, the following documentation is to be collected and consulted with a view to selecting holds, tanks, areas, and structural elements to be examined:

- survey status and basic ship information,
- documentation on-board, as described in 6.2 and 6.3,
- main structural plans (scantlings drawings), including information regarding use of high tensile steels (HTS),
- relevant previous survey and inspection reports from both Classification Society and the Owner,
- information regarding the use of the ship's holds and tanks, typical cargoes and other relevant data,
- information regarding corrosion prevention level on the new-building,
- information regarding the relevant maintenance level during operation.

5.1.3 The submitted Survey Programme is to account for and comply, as a minimum, with the requirements of Tables I and II and paragraph 2.5 for close-up survey, thickness measurement and tank testing, respectively, and is to include relevant information including at least:

- basic ship information and particulars,
- main structural plans (scantling drawings), including information regarding use of high tensile steels (HTS),

Z10.5 (cont)

- plan of holds and tanks,
- list of holds and tanks with information on use, protection and condition of coating,
- conditions for survey (e.g., information regarding hold and tank cleaning, gas freeing, ventilation, lighting, etc.),
- provisions and methods for access to structures,
- equipment for surveys,
- nomination of holds and tanks and areas for close-up survey (per 2.3),
- nominations of sections and areas for thickness measurement (per 2.4),
- nomination of tanks for tank testing (per 2.5),
- damage experience related to the ship in question.

5.1.4 The Classification Society will advise the Owner of the maximum acceptable structural corrosion diminution levels applicable to the vessel.

5.1.5 Use may also be made of the Guidelines for Technical Assessment in Conjunction with Planning for Enhanced Surveys of Double Skin Bulk Carriers - Special Survey - Hull, contained in Annex I. These guidelines are a recommended tool which may be invoked at the discretion of the Classification Society, when considered necessary and appropriate, in conjunction with the preparation of the required Survey Programme.

5.2 Conditions for survey

5.2.1 The Owner is to provide the necessary facilities for a safe execution of the survey.

5.2.1.1 In order to enable the attending surveyors to carry out the survey, provisions for proper and safe access, are to be agreed between the owner and the Classification society are to be in accordance with IACS PR 37.

5.2.1.2 Details of the means of access are to be provided in the survey planning questionnaire.

5.2.1.3 In cases where the provisions of safety and required access are judged by the attending surveyor(s) not to be adequate, the survey of the spaces involved is not to proceed.

5.2.2 Cargo holds, tanks and spaces are to be safe for access. Cargo holds, tanks and spaces are to be gas free and properly ventilated. Prior to entering a tank, void or enclosed space, it is to be verified that the atmosphere in the tank is free from hazardous gas and contains sufficient oxygen.

5.2.3 In preparation for survey and thickness measurements and to allow for a thorough examination, all spaces are to be cleaned including removal from surfaces of all loose accumulated corrosion scale. Spaces are to be sufficiently clean and free from water, scale, dirt, oil residues etc. to reveal corrosion, deformation, fractures, damages, or other structural deterioration as well as the condition of the coating. However, those areas of structure whose renewal has already been decided by the owner need only be cleaned and descaled to the extent necessary to determine the limits of the areas to be renewed.

Z10.5 (cont)

5.2.4 Sufficient illumination is to be provided to reveal corrosion, deformation, fractures, damages or other structural deterioration as well as the condition of the coating.

5.2.5 Where Soft or Semi-hard Coatings have been applied, safe access is to be provided for the Surveyor to verify the effectiveness of the coating and to carry out an assessment of the conditions of internal structures which may include spot removal of the coating. When safe access cannot be provided, the soft or semi-hard coating is to be removed.

5.3 Access to structures

5.3.1 For overall surveys, means are to be provided to enable the Surveyor to examine the hull structure in a safe and practical way.

5.3.2 For close-up surveys, one or more of the following means for access, acceptable to the Surveyor, is to be provided:

- permanent staging and passages through structures,
- temporary staging, e.g. ladders and passages through structures,
- hydraulic arm vehicles such as conventional cherry pickers, lifts and movable platforms,
- portable ladders,
- boats or rafts,
- other equivalent means.

5.4 Equipment for survey

5.4.1 Thickness measurement is normally to be carried out by means of ultrasonic test equipment. The accuracy of the equipment is to be proven to the Surveyor as required.

5.4.2 One or more of the following fracture detection procedures may be required if deemed necessary by the Surveyor:

- radiographic equipment,
- ultrasonic equipment,
- magnetic particle equipment,
- dye penetrant.

5.4.3 Explosimeter, oxygen-meter, breathing apparatus, lifelines, riding belts with rope and hook and whistles together with instructions and guidance on their use are to be made available during the survey. A safety check-list is to be provided.

5.4.4 Adequate and safe lighting is to be provided for the safe and efficient conduct of the survey.

5.4.5 Adequate protective clothing is to be made available and used (e.g. safety helmet, gloves, safety shoes, etc.) during the survey.

Z10.5 (cont)

5.5 Rescue and emergency response equipment

If breathing apparatus and/or other equipment is used as 'Rescue and emergency response equipment' then it is recommended that the equipment should be suitable for the configuration of the space being surveyed.

5.6 Survey at sea or at anchorage

5.6.1 Survey at sea or at anchorage may be accepted provided the Surveyor is given the necessary assistance from the personnel onboard. Necessary precautions and procedures for carrying out the survey are to be in accordance with 5.1, 5.2, 5.3 and 5.4.

5.6.2 A communication system is to be arranged between the survey party in the spaces under examination and the responsible officer on deck. This system is to also include the personnel in charge of ballast pump handling if boats or rafts are used.

5.6.3 Surveys of tanks or applicable holds by means of boats or rafts may only be undertaken with the agreement of the Surveyor, who is to take into account the safety arrangements provided, including weather forecasting and ship response under foreseeable conditions and provided the expected rise of water within the tank does not exceed 0.25m.

5.6.4 When rafts or boats will be used for close-up survey the following conditions are to be observed:

- .1 only rough duty, inflatable rafts or boats, having satisfactory residual buoyancy and stability even if one chamber is ruptured, are to be used;
- .2 the boat or raft is to be tethered to the access ladder and an additional person is to be stationed down the access ladder with a clear view of the boat or raft;
- .3 appropriate lifejackets are to be available for all participants;
- .4 the surface of water in the tank or hold is to be calm (under all foreseeable conditions the expected rise of water within the tank is not to exceed 0.25 m) and the water level stationary. On no account is the level of the water to be rising while the boat or raft is in use;
- .5 the tank, hold or space must contain clean ballast water only. Even a thin sheen of oil on the water is not acceptable; and
- .6 at no time is the water level to be allowed to be within 1 m of the deepest under deck web face flat so that the survey team is not isolated from a direct escape route to the tank hatch. Filling to levels above the deck transverses is only to be contemplated if a deck access manhole is fitted and open in the bay being examined, so that an escape route for the survey party is available at all times. Other effective means of escape to the deck may be considered.

5.6.5 Rafts or boats alone may be allowed for inspection of the under deck areas for tanks or spaces, if the depth of the webs is 1.5 m or less.

5.6.6 If the depth of the webs is more than 1.5 m, rafts or boats alone may be allowed only:

- .1 when the coating of the under deck structure is in GOOD condition and there is no evidence of wastage; or

Z10.5 (cont)

- .2 if a permanent means of access is provided in each bay to allow safe entry and exit. This means:
 - i. access direct from the deck via a vertical ladder and a small platform fitted approximately 2 m below the deck in each bay; or
 - ii. access to deck from a longitudinal permanent platform having ladders to deck in each end of the tank. The platform shall, for the full length of the tank, be arranged in level with, or above, the maximum water level needed for rafting of under deck structure. For this purpose, the ullage corresponding to the maximum water level is to be assumed not more than 3m from the deck plate measured at the midspan of deck transverses and in the middle length of the tank.

If neither of the above conditions are met, then staging or an "other equivalent means" is to be provided for the survey of the under deck areas.

5.6.7 The use of rafts or boats alone in paragraphs 5.6.5 and 5.6.6 does not preclude the use of boats or rafts to move about within a tank during a survey.

Reference is made to IACS Recommendation 39 - Guidelines for the use of Boats or Rafts for Close-up surveys.

5.7 Survey Planning Meeting

5.7.1 The establishment of proper preparation and the close co-operation between the attending surveyor(s) and the owner's representatives onboard prior to and during the survey are an essential part in the safe and efficient conduct of the survey. During the survey on board safety meetings are to be held regularly.

5.7.2 Prior to commencement of any part of the renewal and intermediate survey, a survey planning meeting is to be held between the attending surveyor(s), the owner's representative in attendance, the TM firm representative, where involved, and the master of the ship or an appropriately qualified representative appointed by the master or Company for the purpose to ascertain that all the arrangements envisaged in the survey programme are in place, so as to ensure the safe and efficient conduct of the survey work to be carried out. See also 7.1.2.

5.7.3 The following is an indicative list of items that are to be addressed in the meeting:

- .1 schedule of the vessel (i.e. the voyage, docking and undocking manoeuvres, periods alongside, cargo and ballast operations, etc.);
- .2 provisions and arrangements for thickness measurements (i.e. access, cleaning/de-scaling, illumination, ventilation, personal safety);
- .3 extent of the thickness measurements;
- .4 acceptance criteria (refer to the list of minimum thicknesses);
- .5 extent of close-up survey and thickness measurement considering the coating condition and suspect areas/areas of substantial corrosion;
- .6 execution of thickness measurements;
- .7 taking representative readings in general and where uneven corrosion/pitting is found;
- .8 mapping of areas of substantial corrosion; and

Z10.5
(cont)

- .9 communication between attending surveyor(s) the thickness measurement firm operator(s) and owner representative(s) concerning findings.

Z10.5
(cont)**6. DOCUMENTATION ON BOARD****6.1 General**

6.1.1 The Owner is to obtain, supply and maintain on board documentation as specified in 6.2 and 6.3, which is to be readily available for the Surveyor.

6.1.2 The documentation is to be kept on board for the life time of the ship.

6.1.3 For tankers and bulk carriers subject to SOLAS Chapter II-1 Part A-1 Regulation 3-10, the Owner is to arrange the updating of the Ship Construction File (SCF) throughout the ship's life whenever a modification of the documentation included in the SCF has taken place. Documented procedures for updating the SCF are to be included within the Safety Management System.

6.2 Survey report file

6.2.1 A Survey Report File is to be a part of the documentation on board consisting of

- reports of structural surveys,
- Executive Hull Summary,
- thickness measurement reports.

6.2.2 The Survey Report File is to be available also in the Owner's and the Classification Society's management offices.

6.3 Supporting documents

6.3.1 The following additional documentation is to be available onboard:

- Survey Programme as required by 5.1 until such time as the Special Survey or Intermediate Survey, as applicable, has been completed,
- Main structural plans of cargo holds and ballast tanks (for CSR ships these plans are to include for each structural element both the as-built and renewal thickness. Any thickness for voluntary addition is also to be clearly indicated on the plans. The midship section plan to be supplied on board the ship is to include the minimum allowable hull girder sectional properties for hold transverse section in all cargo holds),
- Previous repair history,
- Cargo and ballast history,
- Inspection by ship's personnel with reference to
 - structural deterioration in general,
 - leakage in bulkheads and piping,
 - condition of corrosion prevention system, if any.
- Any other information that will help identify critical structural areas and/or Suspect Areas requiring inspection.

Z10.5
(cont)

6.3.2 For tankers and bulk carriers subject to SOLAS Chapter II-1 Part A-1 Regulation 3-10, the Ship Construction File (SCF), limited to the items to be retained on board, is to be available on board.

6.4 Review of documentation on board

6.4.1 Prior to survey, the Surveyor is to examine the completeness of the documentation onboard, and its contents as a basis for the survey.

6.4.2 For tankers and bulk carriers subject to SOLAS Chapter II-1 Part A-1 Regulation 3-10, on completion of the survey, the surveyor is to verify that the update of the Ship Construction File (SCF) has been done whenever a modification of the documentation included in the SCF has taken place.

6.4.2.1 For the SCF stored on board ship, the surveyor is to examine the information on board ship.

In cases where any major event, including, but not limited to, substantial repair and conversion, or any modification to the ship structures, the surveyor is to also verify that the updated information is kept on board the ship.

If the updating of the SCF onboard is not completed at the time of survey, the Surveyor records it and requires confirmation at the next periodical survey.

6.4.2.2 For the SCF stored on shore archive, the surveyor is to examine the list of information included on shore archive.

In cases where any major event, including, but not limited to, substantial repair and conversion, or any modification to the ship structures, the surveyor is to also verify that the updated information is stored on shore archive by examining the list of information included on shore archive or kept on board the ship.

In addition, the surveyor is to confirm that the service contract with of the Archive Center is valid.

If the updating of the SCF Supplement ashore is not completed at the time of survey, the Surveyor records it and requires confirmation at the next periodical survey.

6.4.3 For tankers and bulk carriers subject to SOLAS Chapter II-1 Part A-1 Regulation 3-10, on completion of the survey, the surveyor is to verify any addition and/or renewal of materials used for the construction of the hull structure are documented within the Ship Construction File inventory list.

Z10.5 (cont)

7. PROCEDURES FOR THICKNESS MEASUREMENT

7.1 General

7.1.1 The required thickness measurements, if not carried out by the Classification Society itself, are to be witnessed by a Surveyor of the Society. The Surveyor is to be on board to the extent necessary to control the process.

7.1.2 The thickness measurement firm is to be part of the survey planning meeting to be held prior to commencing the survey.

7.1.3 Thickness measurements of structures in areas where close-up surveys are required shall be carried out simultaneously with close-up surveys.

7.1.4 In all cases the extent of thickness measurements is to be sufficient as to represent the actual average condition.

7.2 Certification of thickness measurement firm

7.2.1 The thickness measurement is to be carried out by a qualified firm certified by the Classification Society according to principles stated in Table V.

7.3 Number and locations of measurements

7.3.1 Application

The item 7.3 only applies to vessels built under the IACS Common Structural Rules¹. For vessels not built under IACS Common Structural Rules, the requirements for number and locations of measurements are according to the Rules of the individual Classification Society and/or specific IACS URs depending on ship's age and structural elements concerned.

7.3.2 Number of measurements

Considering the extent of thickness measurements according to the different structural elements of the ship and surveys (special, intermediate and annual), the locations of the points to be measured are given for the most important items of the structure.

7.3.3 Locations of measurements

Table 1 provides explanations and/or interpretations for the application of those requirements indicated in the Rules, which refer to both systematic thickness measurements related to the calculation of global hull girder strength and specific measurements connected to close-up surveys.

Fig 4 to Fig 9 are provided to facilitate the explanations and/or interpretations given in Table 1, to show typical arrangements of double side skin bulk carriers.

¹ IACS Common Structural Rules mean IACS Common Structural Rules for Bulk Carriers (IACS CSR for Bulk Carriers) or IACS Common Structural Rules for Bulk Carriers and Oil Tankers (IACS CSR BC&OT).

Z10.5

(cont)

Table 1: Interpretations of rule requirements for the locations and number of points to be measured for CSR bulk carriers (double skin)

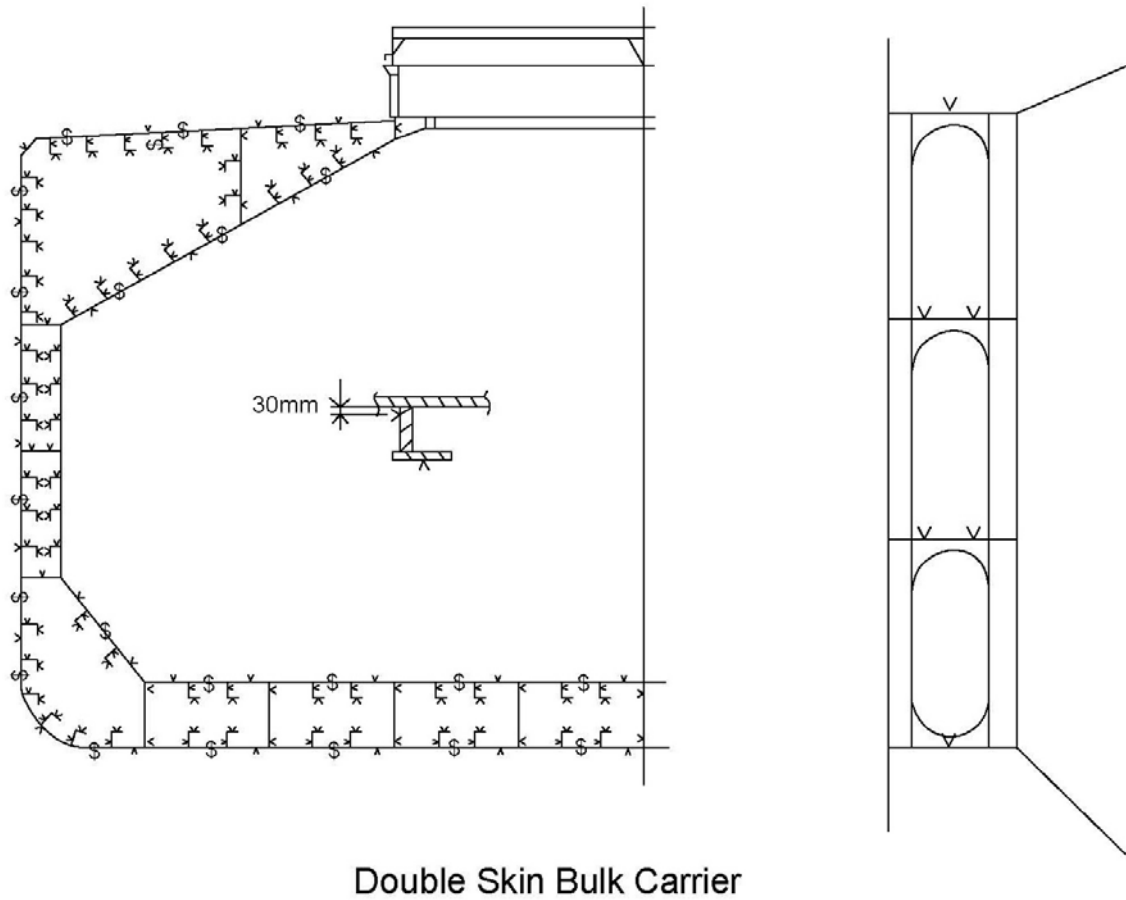
| Item | Interpretation | Figure reference |
|---|--|--|
| Selected plates on deck, tank top, bottom, double bottom and wind-and-water area | «Selected» means at least a single point on one out of three plates, to be chosen on representative areas of average corrosion | |
| All deck, tank top and bottom plates and wind-and-water strakes | At least two points on each plate to be taken either at each 1/4 extremity of plate or at representative areas of average corrosion | |
| Transverse section | A transverse section includes all longitudinal members such as plating, longitudinals and girders at the deck, sides, bottom, inner bottom, hopper sides, inner sides and top wing inner sides. | Fig 4 |
| All cargo hold hatch covers and coamings | Including plates and stiffeners | Locations of points are given in Fig 5 |
| Transverse section of deck plating outside line of cargo hatch openings | Two single points on each deck plate (to be taken either at each 1/4 extremity of plate or at representative areas of average corrosion) between the ship sides and hatch coamings in the transverse section concerned | |
| All deck plating and underdeck structure inside line of hatch openings between cargo hold hatches | «All deck plating» means at least two points on each plate to be taken either at each 1/4 extremity of plate or at representative areas of average corrosion. “Under deck structure”: at each short longitudinal girder: three points for web plating (fwd/middle/aft), single point for face plate, one point for web plating and one point for face plating of transverse beam in way. At each ends of transverse beams, one point for web plating and one point for face plating | Extent of areas is shown in Fig 10 Locations of points are given in Fig 9 |

Z10.5 (cont)

| Item | Interpretation | Figure reference |
|--|--|---|
| Transverse frame in double skin tank | | Fig 4 |
| Transverse bulkheads in cargo holds | Includes bulkhead plating, stiffeners and girders, including internal structure of upper and lower stools, where fitted. Two selected bulkheads: one is to be the bulkhead between the two foremost cargo holds and the second may be chosen in other positions | Areas of measurements are shown in Fig 10 Locations of points are given in Fig 7 |
| One transverse bulkhead in each cargo hold | This means that the close-up survey and related thickness measurements are to be performed on one side of the bulkhead; the side is to be chosen based on the outcome of the overall survey of both sides. In the event of doubt, the Surveyor may also require (possibly partial) close-up survey on the other side | Areas of measurements are shown in Fig 10 Locations of points are given in Fig 7 |
| Transverse bulkheads in one topside, hopper and double bottom ballast tank | Includes bulkhead and stiffening systems. The ballast tank is to be chosen based on the history of ballasting among those prone to have the most severe conditions | Locations of points are given in Fig 8 |
| Transverse webs in ballast tanks | Includes web plating, face plates, stiffeners and associated plating and longitudinals. One of the representative tanks of each type (i.e. topside or hopper or side tank) is to be chosen in the forward part | Areas of measurements are shown in Fig 10 Locations of points are given in Fig 6 |

Z10.5

(cont)



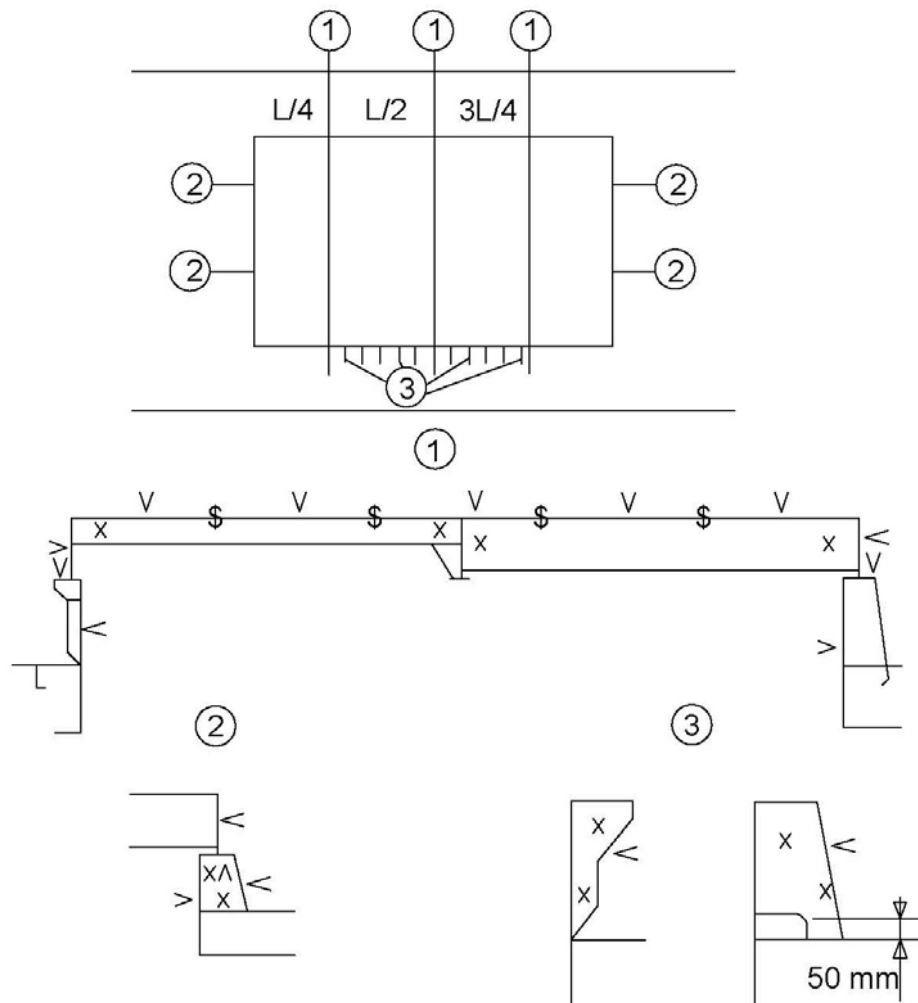
Double Skin Bulk Carrier

Note: Measurements are to be taken on both port and starboard sides of the selected transverse section.

Figure 4 - Transverse section of a double skin bulk carrier

Z10.5

(cont)



Notes:

1. Three sections at $L/4$, $L/2$, $3L/4$ of hatch cover length, including:
 - one measurement of each hatch cover plate and skirt plate
 - measurements of adjacent beams and stiffeners
 - one measurement of coaming plates and coaming flange, each side
2. Measurements of both ends of hatch cover skirt plate, coaming plate and coaming flange
3. One measurement (two points for web plate and one point for face plate) of one out of three hatch coaming brackets and bars, on both sides and both ends

Figure 5 - Locations of measurements on hatch covers and coamings

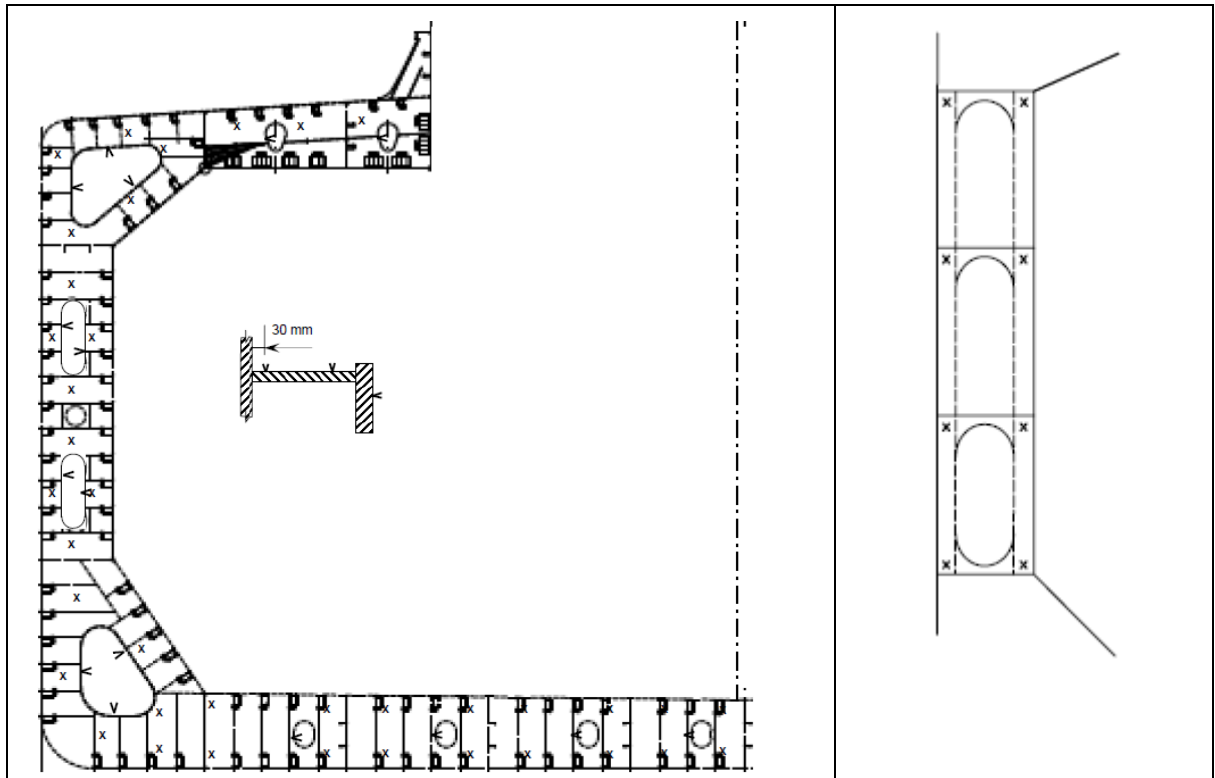
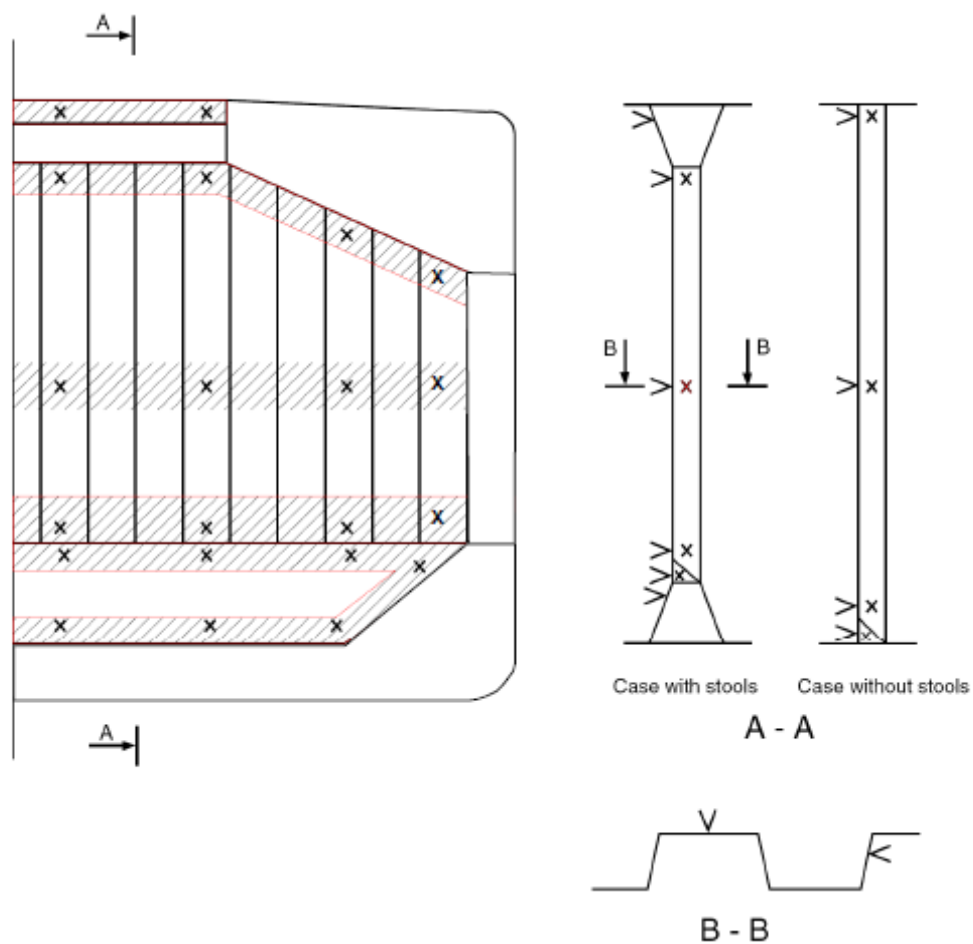
Z10.5
(cont)

Figure 6 - Locations of measurements on structural members in ballast tanks of double skin bulk carriers (topside or hopper or side tank)

Z10.5

(cont)

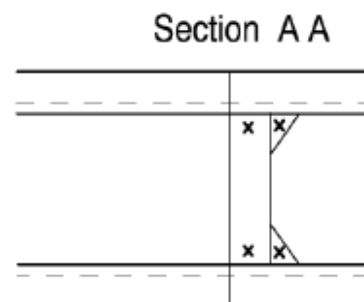
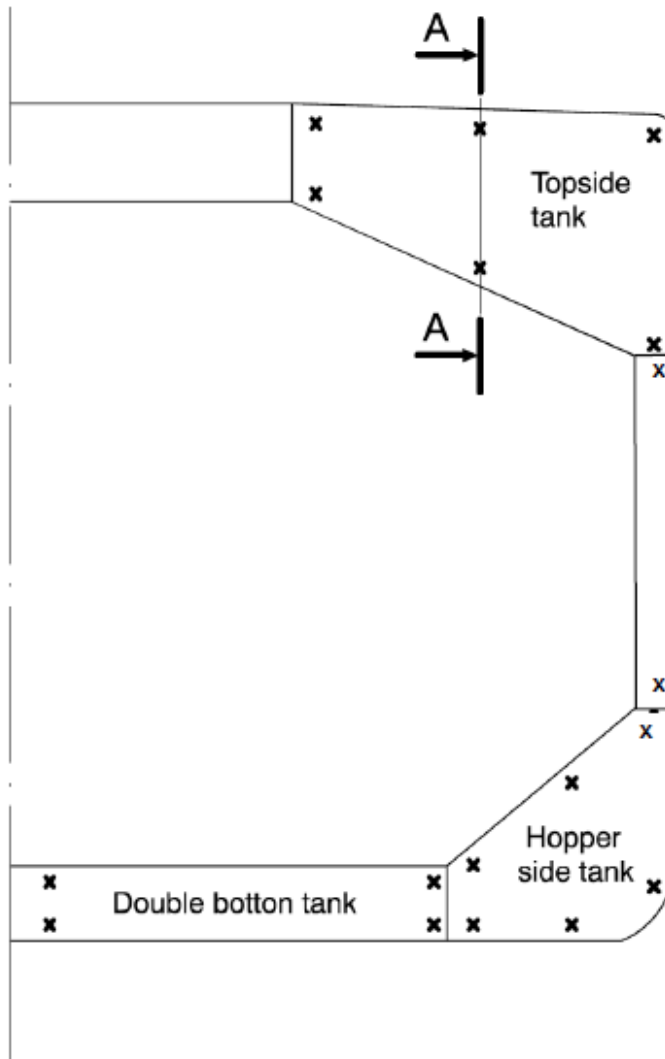


Note: Measurements to be taken in each shaded area as per views A - A and B - B

Figure 7 - Locations of measurements on cargo hold transverse bulkheads (additional measurements to internal structure of upper and lower stools to be added, e.g. two points in the upper and two points in the lower stools to be indicated in section A - A)

Z10.5

(cont)



Note: Measurements to be taken in each vertical section as per view A - A

Figure 8 - Locations of measurements on transverse bulkheads of topside, hopper and double bottom tanks (two additional measurements to internal structure of double bottom tank to be added at midspan)

Z10.5 (cont)

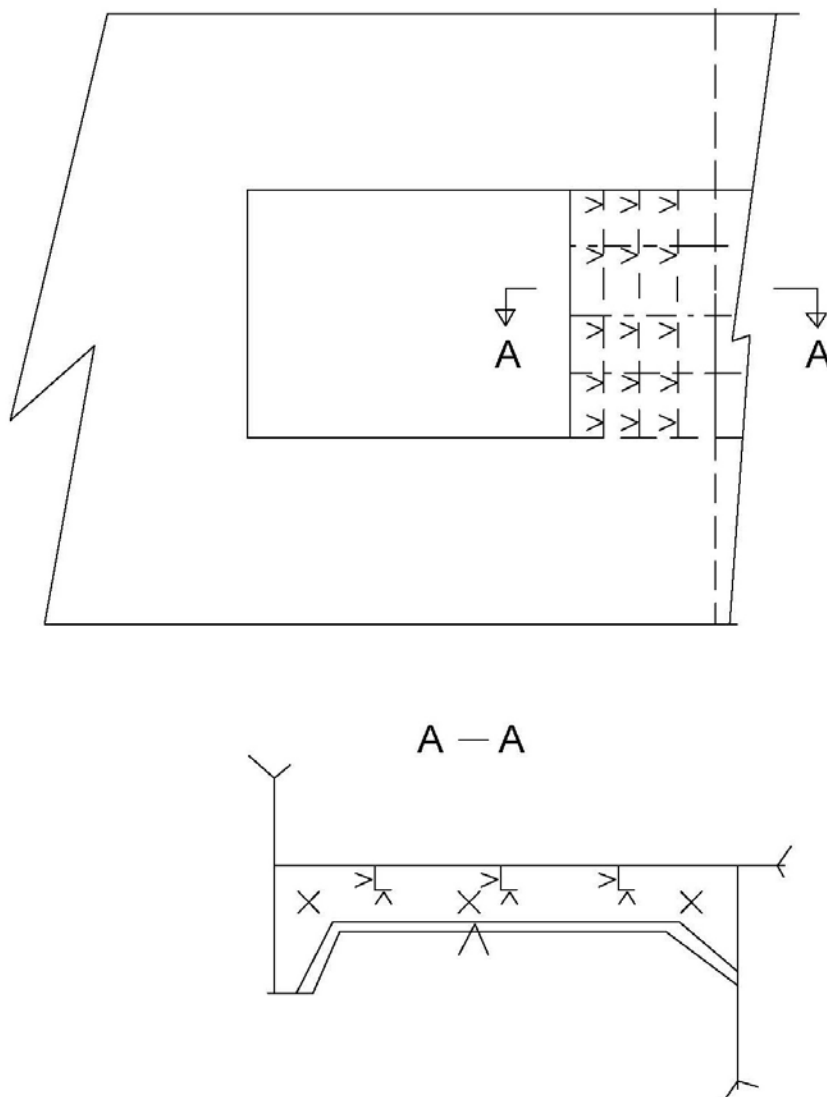


Figure 9 - Locations of measurements on underdeck structure

7.4 Reporting

7.4.1 A thickness measurement report is to be prepared. The report is to give the location of measurement, the thickness measured as well as corresponding original thickness. Furthermore, the report is to give the date when the measurements were carried out, type of measuring equipment, names of personnel and their qualifications and has to be signed by the operator.

The thickness measurement report is to follow the principles as specified in the Recommended Procedures for Thickness Measurement of Double Skin Bulk Carriers, contained in Annex II.

7.4.2 The Surveyor is to review the final thickness measurement report and countersign the cover page.

Z10.5

(cont)

8. ACCEPTANCE CRITERIA

8.1 General

8.1.1 For vessels built under IACS Common Structural Rules, the Acceptance Criteria is according to IACS Common Structural Rules¹ and as specified in 8.2, 8.3 and 8.4.

8.1.2 For vessels not built under IACS Common Structural Rules, the Acceptance Criteria are according to the Rules of the individual Classification Society and/or specific IACS URs depending on ship's age and structural elements concerned, e.g. UR S18 for corrugated transverse watertight bulkheads, UR S19 for the transverse watertight corrugated bulkhead between Cargo Holds Nos. 1 and 2, and UR S21 for all cargo hatch covers and hatch forward and side coamings on exposed decks in position 1 (as defined in ILLC), as applicable.

8.2 Acceptance criteria for pitting corrosion of CSR ships

8.2.1 Side structures

If pitting intensity in an area where coating is required, according to IACS Common Structural Rules², is higher than 15% (see Figure 1), thickness measurements are to be performed to check the extent of pitting corrosion. The 15% is based on pitting or grooving on only one side of a plate.

In cases where pitting is exceeding 15%, as defined above, an area of 300 mm or more, at the most pitted part of the plate, is to be cleaned to bare metal and the thickness is to be measured in way of the five deepest pits within the cleaned area. The least thickness measured in way of any of these pits is to be taken as the thickness to be recorded.

The minimum remaining thickness in pits, grooves or other local areas is to be greater than 70% of the as-built thickness, in the side shell, hopper tank and topside tank plating attached to the each side frame, over a width up to 30 mm from each side of it, without being greater than t_{ren} .

8.2.2 Other structures

For plates with pitting intensity less than 20%, see Figure 1, the measured thickness, t_m of any individual measurement is to meet the lesser of the following criteria:

$$t_m \geq 0.7 (t_{as-built} - t_{vol add}) \text{ mm}$$

$$t_m \geq t_{ren} - 1 \text{ mm}$$

Where:

| | |
|----------------|--|
| $t_{as-built}$ | As-built thickness of the member, in mm |
| $t_{vol add}$ | Voluntary thickness addition; thickness, in mm, voluntarily added as the Owner's extra margin for corrosion wastage in addition to t_c |
| t_{ren} | Renewal thickness; minimum allowable thickness, in mm, below which renewal of structural members is to be carried out |

¹ Ch.13 of IACS CSR for Bulk Carriers, or Ch. 13, Part 1 of IACS CSR BC&OT

² Sec. 5, Ch. 3 of IACS CSR for Bulk Carriers, or Sec. 4, Ch. 3, Part 1 of IACS CSR BC&OT

Z10.5 (cont)

| | |
|-------|--|
| t_c | Total corrosion addition, in mm, defined in IACS Common Structural Rules ¹ |
| t_m | Measured thickness, in mm, on one item, i.e. average thickness on one item using the various measurements taken on this same item during periodical ship's in service surveys. |

The average thickness across any cross section in the plating is not to be less than the renewal criteria for general corrosion given in Chapter 13 of CSR.

8.3 Acceptance criteria for edge corrosion of CSR ships

8.3.1 Provided that the overall corroded height of the edge corrosion of the flange, or web in the case of flat bar stiffeners, is less than 25%, see Figure 2, of the stiffener flange breadth or web height, as applicable, the measured thickness, t_m , is to meet the lesser of the following criteria:

$$t_m \geq 0.7 (t_{as-built} - t_{vol\ add}) \text{ mm}$$

$$t_m \geq t_{ren} - 1 \text{ mm}$$

8.3.2 The average measured thickness across the breadth or height of the stiffener is not to be less than that defined in IACS Common Structural Rules².

8.3.3 Plate edges at openings for manholes, lightening holes etc. may be below the minimum thickness given in IACS Common Structural Rules² provided that:

- (a) the maximum extent of the reduced plate thickness, below the minimum given in IACS Common Structural Rules², from the opening edge is not more than 20% of the smallest dimension of the opening and does not exceed 100mm.
- (b) rough or uneven edges may be cropped-back provided that the maximum dimension of the opening is not increased by more than 10% and the remaining thickness of the new edge is not less than $t_{ren} - 1$ mm.

8.4 Acceptance criteria for grooving corrosion of CSR ships

8.4.1 Where the groove breadth is a maximum of 15% of the web height, but not more than 30mm, see Figure 3, the measured thickness, t_m , in the grooved area is to meet the lesser of the following criteria:

$$t_m \geq 0.75 (t_{as-built} - t_{vol\ add}) \text{ mm}$$

$$t_m \geq t_{ren} - 0.5 \text{ mm}$$

but is not to be less than

$$t_m = 6 \text{ mm}$$

8.4.2 Structural members with areas of grooving greater than those in 8.4.1 above are to be assessed based on the criteria for general corrosion as defined in IACS Common Structural Rules² using the average measured thickness across the plating/stiffener.

¹ Sec. 3, Ch. 3 of IACS CSR for Bulk Carriers, or Sec. 3, Ch. 3, Part 1 of IACS CSR BC & OT

² Ch.13 of IACS CSR for Bulk Carriers, or Ch. 13, Part 1 of IACS CSR BC&OT

Z10.5
(cont)**9 REPORTING AND EVALUATION OF SURVEY****9.1 Evaluation of survey report**

9.1.1 The data and information on the structural condition of the vessel collected during the survey is to be evaluated for acceptability and continued structural integrity of the vessel.

9.1.1.1 For CSR bulk carriers, the ship's longitudinal strength is to be evaluated by using the thickness of structural members measured, renewed and reinforced, as appropriate, during the special surveys carried out after the ship reached 15 years of age (or during the special survey no. 3, if this is carried out before the ship reaches 15 years) in accordance with the criteria for longitudinal strength of the ship's hull girder for CSR bulk carriers specified in IACS Common Structural Rules¹.

9.1.1.2 The final result of evaluation of the ship's longitudinal strength required in 9.1.1.1, after renewal or reinforcement work of structural members, if carried out as a result of initial evaluation, is to be reported as a part of the Executive Hull Summary.

9.2 Reporting

9.2.1 Principles for survey reporting are shown in Table VI.

9.2.2 When a survey is split between different survey stations, a report is to be made for each portion of the survey. A list of items examined and / or tested (pressure testing, thickness measurements etc.) and an indication of whether the item has been credited, are to be made available to the next attending Surveyor(s), prior to continuing or completing the survey.

9.2.3 An Executive Hull Summary of the survey and results is to be issued to the Owner as shown in Table VII and placed on board the vessel for reference at future surveys. The Executive Hull Summary is to be endorsed by the Classification Society's head office or regional managerial office.

¹ Ch.13 of IACS CSR for Bulk Carriers, or Ch. 13, Part 1 of IACS CSR BC&OT

Z10.5

(cont)

TABLE I / Sheet I

MINIMUM REQUIREMENTS FOR CLOSE-UP SURVEY AT SPECIAL HULL SURVEY OF DOUBLE SKIN BULK CARRIERS, EXCLUDING ORE CARRIERS

| Special Survey No.1 age ≤ 5 | Special Survey No.2 5 < age ≤ 10 | Special Survey No.3 10 < age ≤ 15 | Special Survey No.4 and subsequent age > 15 |
|---|--|---|--|
| <p>One transverse web with associated plating and longitudinals in two representative water ballast tanks of each type. (This is to include the foremost topside and double side water ballast tanks on either side) (A)</p> | <p>One transverse web with associated plating and longitudinals as applicable in each water ballast tank. (A)</p> <p>Forward and aft transverse bulkheads including stiffening system in a transverse section including topside, hopper side and double side ballast tanks on one side of the ship (i.e. port or starboard). (A)</p> <p>25% of ordinary transverse frames for transverse framing system or 25% of longitudinals for longitudinal framing system on side shell and inner side plating at forward, middle and aft parts, in the foremost double side tanks. (B)</p> | <p>All transverse webs with associated plating and longitudinals as applicable in each water ballast tank. (A)</p> <p>All transverse bulkheads including stiffening system in each water ballast tank. (A)</p> <p>25% of ordinary transverse frames for transverse framing system or 25% of longitudinals for longitudinal framing system on side shell and inner side plating at forward, middle and aft parts, in all double side tanks. (B)</p> | <p>All transverse webs with associated plating and longitudinals as applicable in each water ballast tank. (A)</p> <p>All transverse bulkheads including stiffening system in each water ballast tank. (A)</p> <p>All ordinary transverse frames for transverse framing system or all of longitudinals for longitudinal framing system on side shell and inner side plating at forward, middle and aft parts, in all double side tanks. (B)</p> <p>Areas (C) – (E) as for age interval 10 to 15 years.</p> |
| <p>Two selected cargo hold transverse bulkheads, including internal structure of upper and lower stools, where fitted. (C)</p> | <p>One transverse bulkhead in each cargo hold, including internal structure of upper and lower stools, where fitted. (C)</p> | <p>All cargo hold transverse bulkheads, including internal structure of upper and lower stools, where fitted. (C)</p> | |
| <p>All cargo hold hatch covers and coamings (platings and stiffeners). (D)</p> | <p>All cargo hold hatch covers and coamings (platings and stiffeners). (D)</p> | <p>All cargo hold hatch covers and coamings (platings and stiffeners). (D)</p> | |

Z10.5 (cont)

| | | | |
|--|---|---|--|
| | All deck plating and under deck structure inside line of hatch openings between all cargo hold hatches. (E) | All deck plating and under deck structure inside line of hatch openings between all cargo hold hatches. (E) | |
|--|---|---|--|

(A), (B), (C), (D) and (E) are areas to be subjected to close-up surveys and thickness measurements (see Figure 10 and 11).

- (A):** Transverse web frame or watertight transverse bulkhead in topside, hopper side and double side ballast tanks. In fore and aft peak tanks transverse web frame means a complete transverse web frame ring including adjacent structural members
- (B):** Ordinary transverse frame in double side tanks
- (C):** Cargo hold transverse bulkheads plating, stiffeners and girders
- (D):** Cargo hold hatch covers and coamings. Subject to cargo hold hatch covers of approved design which structurally have no access to the internals, close-up survey/thickness measurement shall be done of accessible parts of hatch covers structures.
- (E):** Deck plating and under deck structure inside line of hatch openings between cargo hold hatches

Note: Close-up survey of transverse bulkheads to be carried out at four levels:

- Level (a): Immediately above the inner bottom and immediately above the line of gussets (if fitted) and shedders for ships without lower stool.
- Level (b): Immediately above and below the lower stool shelf plate (for those ships fitted with lower stools), and immediately above the line of the shedder plates.
- Level (c): Above mid-height of the bulkhead.
- Level (d): Immediately below the upper deck plating and immediately adjacent to the upper wing tank, and immediately below the upper stool shelf plate for those ships fitted with upper stools, or immediately below the topside tanks.

Z10.5

(cont)

TABLE I / Sheet 2

MINIMUM REQUIREMENTS FOR CLOSE-UP SURVEY AT SPECIAL HULL SURVEY OF ORE CARRIERS

| Special Survey No.1 age ≤ 5 | Special Survey No.2 5 < age ≤ 10 | Special Survey No.3 10 < age ≤ 15 | Special Survey No.4 and subsequent age > 15 |
|---|--|--|---|
| <p>One web frame ring complete including adjacent structural members in a ballast wing tank. (A)</p> <p>One transverse bulkhead lower part - including girder system and adjacent structural members - in a ballast tank. (A)</p> | <p>All web frame rings complete including adjacent structural members in a ballast wing tank. (A)</p> <p>One deck transverse including adjacent deck structural members in each remaining ballast tank. (A)</p> <p>Forward and aft transverse bulkheads complete - including girder system and adjacent structural members - in a ballast wing tank. (A)</p> <p>One transverse bulkhead lower part - including girder system and adjacent structural members - in each remaining ballast tank. (A)</p> | <p>All web frame rings complete including adjacent structural members in each ballast tank. (A)</p> <p>All transverse bulkheads complete - including girder system and adjacent structural members - in each ballast tank. (A)</p> <p>One web frame ring complete including adjacent structural members in each wing void space. (A)</p> <p>Additional web frame rings in void spaces as deemed necessary by the Classification Society. (A)</p> | As for Special Survey for age from 10 to 15 years. |
| Two selected cargo hold transverse bulkheads, including internal structure of upper and lower stools, where fitted. (C) | One transverse bulkhead in each cargo hold, including internal structure of upper and lower stools, where fitted. (C) | All cargo hold transverse bulkheads, including internal structure of upper and lower stools, where fitted. (C) | Areas (C) - (E) as for age interval 10 to 15 years. |
| All cargo hold hatch covers and coamings (plating and stiffeners). (D) | All cargo hold hatch covers and coamings (plating and stiffeners). (D) | All cargo hold hatch covers and coamings (plating and stiffeners). (D) | |
| | All deck plating and under deck structure inside line of hatch openings between all cargo hold hatches. (E) | All deck plating and under deck structure inside line of hatch openings between all cargo hold hatches. (E) | |

Z10.5
(cont)

(A), (C), (D) and (E) are areas to be subjected to close-up surveys and thickness measurements (see Figure 10 and Figure 11).

- (A):** Transverse web frame or watertight transverse bulkhead in ballast wing tanks and void spaces. In fore and aft peak tanks transverse web frame means a complete transverse web frame ring including adjacent structural members
- (C):** Cargo hold transverse bulkheads plating, stiffeners and girders
- (D):** Cargo hold hatch covers and coamings. Subject to cargo hold hatch covers of approved design which structurally have no access to the internals, close-up survey/thickness measurement shall be done of accessible parts of hatch covers structures.
- (E):** Deck plating and under deck structure inside line of hatch openings between cargo hold hatches

Note: Close-up Survey of transverse bulkheads to be carried out at four levels:

- Level (a): Immediately above the inner bottom and immediately above the line of gussets (if fitted) and shedders for ships without lower stool.
- Level (b): Immediately above and below the lower stool shelf plate (for those ships fitted with lower stools), and immediately above the line of the shedder plates.
- Level (c): About mid-height of the bulkhead.
- Level (d): Immediately below the upper deck plating and immediately adjacent to the upper wing tank, and immediately below the upper stool shelf plate for those ships fitted with upper stools, or immediately below the topside tanks.

Z10.5

(cont)

TABLE II

MINIMUM REQUIREMENTS FOR THICKNESS MEASUREMENTS AT SPECIAL HULL SURVEY OF DOUBLE SKIN BULK CARRIERS

| Special Survey No.1 age ≤ 5 | Special Survey No.2 5 < age ≤ 10 | Special Survey No.3 10 < age ≤ 15 | Special Survey No.4 and subsequent age > 15 |
|-------------------------------------|---|---|--|
| Suspect areas | Suspect areas | Suspect areas | Suspect areas |
| | Within the cargo length: - Two transverse sections of deck plating outside line of cargo hatch openings | Within the cargo length: - each deck plate outside line of cargo hatch openings - two transverse sections, one in the amidship area, outside line of cargo hatch openings - all wind and water strakes | Within the cargo length: - each deck plate outside line of cargo hatch openings - three transverse sections, one in the amidship area, outside line of cargo hatch openings - each bottom plate |
| | Wind and water strakes in way of the two transverse sections considered above Selected wind and water strakes outside the cargo length area | Selected wind and water strakes outside the cargo length area | All wind and water strakes, full length |
| | Measurements, for general assessment and recording of corrosion pattern, of those structural members subject to close-up survey according to Table I/Sheet 1 or Table I/Sheet 2, as applicable. | Measurements, for general assessment and recording of corrosion pattern, of those structural members subject to close-up survey according to Table I/Sheet 1 or Table I/Sheet 2, as applicable. | Measurements, for general assessment and recording of corrosion pattern, of those structural members subject to close-up survey according to Table I/Sheet 1 or Table I/Sheet 2, as applicable. |

Z10.5

(cont)

TABLE III / Sheet 1

REQUIREMENTS FOR EXTENT OF THICKNESS MEASUREMENTS AT THOSE AREAS OF SUBSTANTIAL CORROSION OF DOUBLE SKIN BULK CARRIERS WITHIN THE CARGO LENGTH AREA

| BOTTOM, INNER BOTTOM AND HOPPER STRUCTURE | | |
|---|---|---|
| Structural member | Extent of measurement | Pattern of measurement |
| Bottom, inner bottom and hopper structure plating | Minimum of three bays across double bottom tank, including aft bay Measurements around and under all suction bell mouths | Five-point pattern for each panel between longitudinals and floors |
| Bottom, inner bottom and hopper structure longitudinals | Minimum of three longitudinals in each bay where bottom plating measured | Three measurements in line across the flange and three measurements on the vertical web |
| Bottom girders, including the watertight ones | At fore and aft watertight floors and in centre of tanks | Vertical line of single measurements on girder plating with one measurement between each panel stiffener, or a minimum of three measurements |
| Bottom floors, including the watertight ones | Three floors in the bays where bottom plating measured, with measurements at both ends and middle | Five-point pattern over two square metre area |
| Hopper structure web frame ring | Three floors in bays where bottom plating measured | Five-point pattern over one square metre of plating Single measurements on flange |
| Hopper structure transverse watertight bulkhead or swash bulkhead | - lower 1/3 of bulkhead | - five-point pattern over one square metre of plating |
| | - upper 2/3 of bulkhead | - five-point pattern over two square metre of plating |
| | - stiffeners (minimum of three) | - For web, five-point pattern over span (two measurements across web at each end and one at centre of span). For flange, single measurements at each end and centre of span |
| Plate stiffening | Where applicable | Single measurements |

TABLE III / Sheet 2

**REQUIREMENTS FOR EXTENT OF THICKNESS MEASUREMENTS AT THOSE AREAS
OF SUBSTANTIAL CORROSION OF DOUBLE SKIN BULK CARRIERS WITHIN THE
CARGO LENGTH AREA**

| DECK STRUCTURE INCLUDING CROSS STRIPS, MAIN CARGO HATCHWAYS, HATCH COVERS, COAMINGS AND TOPSIDE TANKS | | |
|---|---|---|
| Structural member | Extent of measurement | Pattern of measurement |
| Cross Deck Strip plating | Suspect Cross Deck Strip plating | Five-point pattern between underdeck stiffeners over 1 metre length |
| Underdeck Stiffeners | Transverse members | Five-point pattern at each end and mid span |
| | Longitudinal member | Five-point pattern on both web and flange |
| Hatch Covers | Side and end skirts, each three locations | Five-point pattern at each location |
| | Three longitudinal bands, outboard strakes (2) and centreline strake (1) | Five-point measurement each band |
| Hatch Coamings | Each side and end of coaming, one band lower 1/3, one band upper 2/3 of coaming | Five-point measurement each band i.e. end or side coaming |
| Topside Ballast Tanks | a) watertight transverse bulkheads: | |
| | - Lower 1/3 of bulkhead | Five-point pattern over 1 sq. metre of plating |
| | - Upper 2/3 of bulkhead | Five-point pattern over 1 sq. metre of plating |
| Topside Ballast Tanks | - Stiffeners | Five-point pattern over 1 metre length |
| | b) two representative swash transverse bulkheads: | |
| | - Lower 1/3 of bulkhead | Five-point pattern over 1 sq. metre of plating |
| Topside Ballast Tanks | - Upper 2/3 of bulkhead | Five-point pattern over 1 sq. metre of plating |
| | - Stiffeners | Five-point pattern over 1 metre length |
| | c) three representative bays of slope plating | |
| Topside Ballast Tanks | - Lower 1/3 of tank | Five-point pattern over 1 sq. metre of plating |
| | - Upper 2/3 of tank | Five-point pattern over 1 sq. metre of plating |
| Topside Ballast Tanks | d) Longitudinals, suspect and adjacent | Five-point pattern on both web and flange over 1 metre length |
| Main Deck Plating | Suspect plates and adjacent (4) | Five-point pattern over 1 sq. metre of plating |
| Main Deck Longitudinals | Suspect Plates | Five-point pattern on both web and flange over 1 metre length |
| Web Frames/Transverses | Suspect Plates | Five-point pattern over 1 sq. metre |

Z10.5

(cont)

TABLE III / Sheet 3

REQUIREMENTS FOR EXTENT OF THICKNESS MEASUREMENTS AT THOSE AREAS OF SUBSTANTIAL CORROSION OF DOUBLE SKIN BULK CARRIERS WITHIN THE CARGO LENGTH AREA

| STRUCTURE IN DOUBLE SIDE SPACES OF DOUBLE SKIN BULK CARRIERS INCLUDING WING VOID SPACES OF ORE CARRIERS | | |
|---|--|--|
| Structural member | Extent of measurement | Pattern of measurement |
| Side shell and inner plating: - Upper strake and strakes in way of horizontal girders - All other strakes | - Plating between each pair of transverse frames / longitudinals in a minimum of three bays (along the tank) - Plating between every third pair of longitudinals in same three bays | - Single measurement - Single measurement |
| Side shell and inner side transverse frames / longitudinals on: - upper strake - all other strakes | - Each transverse frame / longitudinal in same three bays - Every third transverse frame / longitudinal in same three bays | - Three measurements across web and 1 measurement on flange - Three measurements across web and 1 measurement on flange |
| Transverse frames / Longitudinals - brackets | Minimum of three at top, middle and bottom of tank in same three bays | Five-point pattern over area of bracket |
| Vertical web and transverse bulkheads: - strakes in way of horizontal girders - other strakes | - Minimum of two webs and both transverse bulkheads - Minimum of two webs and both transverse bulkheads | - Five-point pattern over approx. two square metre area - Two measurements between each pair of vertical stiffeners |
| Horizontal girders | Plating on each girder in a minimum of three bays | Two measurements between each pair of longitudinal girder stiffeners |
| Plate stiffening | Where applicable | Single measurements |

Z10.5

(cont)

TABLE III / Sheet 4

REQUIREMENTS FOR EXTENT OF THICKNESS MEASUREMENTS AT THOSE AREAS OF SUBSTANTIAL CORROSION OF DOUBLE SKIN BULK CARRIERS WITHIN THE CARGO LENGTH AREA

| TRANSVERSE BULKHEADS IN CARGO HOLDS | | |
|-------------------------------------|---|--|
| Structural member | Extent of measurement | Pattern of measurement |
| Lower stool, where fitted | <ul style="list-style-type: none"> - Transverse band within 25mm of welded connection to inner bottom - Transverse bands within 25mm of welded connection to shelf plate | <ul style="list-style-type: none"> - Five-point pattern between stiffeners over one metre length - Five-point pattern between stiffeners over one metre length |
| Transverse bulkheads | <ul style="list-style-type: none"> - Transverse band at approximately mid height - Transverse band at part of bulkhead adjacent to upper deck or below upper stool shelf plate (for those ships fitted with upper stools) | <ul style="list-style-type: none"> - Five-point pattern over one square metre of plating - Five-point pattern over one square metre of plating |

Z10.5

(cont)

TABLE IV

MINIMUM REQUIREMENTS OF OVERALL AND CLOSE-UP SURVEY AND THICKNESS MEASUREMENTS AT INTERMEDIATE SURVEY OF DOUBLE SKIN BULK CARRIERS

| Age of ship at time of intermediate survey due date | | |
|---|--|--|
| 5 < age ≤ 10 | 10 < age ≤ 15 | age > 15 |
| Overall survey of Representative ballast tanks selected by the attending surveyor (the selection is to include fore and aft peak tanks and a number of other tanks, taking into account the total number and type of ballast tanks) | The requirements of the previous special survey (see 4.2.3) | The requirements of the previous special survey (see 4.2.4) |
| Overall and close-up survey of Suspect Areas identified at previous surveys | | |
| Overall survey of all cargo holds | | |
| Thickness measurements to an extent sufficient to determine both general and local corrosion levels at areas subject to close-up survey at 'suspect areas' identified at previous surveys | | |

Z10.5

(cont)

TABLE V

PROCEDURES FOR CERTIFICATION OF FIRMS ENGAGED IN THICKNESS MEASUREMENT OF HULL STRUCTURES

1. Application

This guidance applies for certification of the firms which intend to engage in the thickness measurement of hull structures of the vessels.

2. Procedures for Certification

(1) Submission of Documents:

Following documents are to be submitted to the Society for approval:

- a) Outline of firm, e.g. organization and management structure.
- b) Experience of the firm on thickness measurement inter alia of hull structures of the vessels.
- c) Technicians' careers, i.e. experience of technicians as thickness measurement operators, technical knowledge of hull structure, etc. Operators, are to be qualified according to a recognized industrial NDT Standard.
- d) Equipment used for thickness measurement such as ultra-sonic testing machines and its maintenance/calibration procedures.
- e) A guide for thickness measurement operators.
- f) Training programmes of technicians for thickness measurement.
- g) Measurement record format in accordance with the Recommended Procedures for Thickness Measurements of Bulk Carriers, contained in Annex II.

(2) Auditing of the firm:

Upon reviewing the documents submitted with satisfactory results, the firm is audited in order to ascertain that the firm is duly organised and managed in accordance with the documents submitted, and eventually is capable of conducting thickness measurement of the hull construction of the ships.

(3) Certification is conditional on an onboard demonstration at thickness measurements as well as satisfactory reporting.

3. Certification

(1) Upon satisfactory results of both the audit of the firm in 2(2) and the demonstration tests in 2(3) above, the Society will issue a Certificate of Approval as well as a notice to the effect that the thickness measurement operation system of the firm has been certified by the Society.

(2) Renewal/endorsement of the Certificate is to be made at intervals not exceeding 3 years by verification that original conditions are maintained.

Z10.5
(cont)**4. Information of any alteration to the Certified Thickness Measurement Operation System**

In case where any alteration to the certified thickness measurement operation system of the firm is made, such an alteration is to be immediately informed to the Society. Re-audit is made where deemed necessary by the Society.

5. Cancellation of Approval

Approval may be cancelled in the following cases:

- (1) Where the measurements were improperly carried out or the results were improperly reported.
- (2) Where the Society's surveyor found any deficiencies in the approved thickness measurement operation systems of the firm.
- (3) Where the firm failed to inform of any alteration in 4 above to the Society.

Z10.5

(cont)

TABLE VI

SURVEY REPORTING PRINCIPLES

As a principle, for bulk carriers subject to ESP, the surveyor is to include the following content in his report for survey of hull structure and piping systems, as relevant for the survey.

The structure of the reporting content may be different, depending on the report system for the respective Societies.

1. General

1.1 A survey report is to be generated in the following cases:

- In connection with commencement, continuation and / or completion of periodical hull surveys, i.e. annual, intermediate and special surveys, as relevant
- When structural damages / defects have been found
- When repairs, renewals or modifications have been carried out
- When condition of class has been imposed or deleted

1.2 The purpose of reporting is to provide:

- Evidence that prescribed surveys have been carried out in accordance with applicable classification rules
- Documentation of surveys carried out with findings, repairs carried out and condition of class imposed or deleted
- Survey records, including actions taken, which shall form an auditable documentary trail. Survey reports are to be kept in the survey report file required to be on board
- Information for planning of future surveys
- Information which may be used as input for maintenance of classification rules and instructions

1.3 When a survey is split between different survey stations, a report is to be made for each portion of the survey. A list of items surveyed, relevant findings and an indication of whether the item has been credited, are to be made available to the next attending surveyor, prior to continuing or completing the survey. Thickness measurement and tank testing carried out is also to be listed for the next surveyor.

2. Extent of the survey

2.1 Identification of compartments where an overall survey has been carried out.

2.2 Identification of locations, in each ballast tank and cargo hold including hatch covers and coamings, where a close-up survey has been carried out, together with information of the means of access used.

2.3 Identification of locations, in each ballast tank and cargo hold including hatch covers and coamings, where thickness measurement has been carried out.

Note: As a minimum, the identification of location of close-up survey and thickness measurement is to include a confirmation with description of individual structural members corresponding to the extent of requirements stipulated in UR Z10.2 based on type of periodical survey and the ship's age.

Z10.5 (cont)

Where only partial survey is required, i.e. 25% of shell frames, one transverse web, two selected cargo hold transverse bulkheads, the identification is to include location within each ballast tank and cargo hold by reference to frame numbers.

2.4 For areas in ballast tanks and cargo holds where protective coating is found to be in GOOD condition and the extent of close-up survey and / or thickness measurement has been specially considered, structures subject to special consideration are to be identified.

2.5 Identification of tanks subject to tank testing.

2.6 Identification of piping systems on deck and within cargo holds, ballast tanks, pipe tunnels, cofferdams and void spaces where:

- Examination including internal examination of piping with valves and fittings and thickness measurement, as relevant, has been carried out
- Operational test to working pressure has been carried out

3. Result of the survey

3.1 Type, extent and condition of protective coating in each tank, as relevant (rated GOOD, FAIR or POOR).

3.2 Structural condition of each compartment with information on the following, as relevant:

- Identification of findings, such as:
 - Corrosion with description of location, type and extent
 - Areas with substantial corrosion
 - Cracks / fractures with description of location and extent
 - Buckling with description of location and extent
 - Indents with description of location and extent
- Identification of compartments where no structural damages / defects are found

The report may be supplemented by sketches / photos.

3.3 Thickness measurement report is to be verified and signed by the surveyor controlling the measurements on board.

4. Actions taken with respect to findings

4.1 Whenever the attending surveyor is of the opinion that repairs are required, each item to be repaired is to be identified in the survey report. Whenever repairs are carried out, details of the repairs effected are to be reported by making specific reference to relevant items in the survey report.

4.2 Repairs carried out are to be reported with identification of:

- Compartment
- Structural member
- Repair method (i.e. renewal or modification) including:
 - steel grades and scantlings (if different from the original);
 - sketches/photos, as appropriate.
- Repair extent
- NDT / Tests

Z10.5
(cont)

4.3 For repairs not completed at the time of survey, condition of class is to be imposed with a specific time limit for the repairs. In order to provide correct and proper information to the surveyor attending for survey of the repairs, condition of class is to be sufficiently detailed with identification of each item to be repaired. For identification of extensive repairs, reference may be given to the survey report.

Z10.5

(cont)

TABLE VII (i)

IACS UNIFIED REQUIREMENTS FOR ENHANCED SURVEYS EXECUTIVE HULL SUMMARY

Issued upon Completion of Special Survey

GENERAL PARTICULARS

SHIP'S NAME:

CLASS IDENTIFY NUMBER:

IMO IDENTIFY NUMBER:

PORT OF REGISTRY:

NATIONAL FLAG:

DEADWEIGHT (M. TONNES):

GROSS TONNAGE:

NATIONAL:

ITC (69):

DATE OF BUILD:

CLASSIFICATION NOTATION:

DATE OF MAJOR CONVERSION:

TYPE OF CONVERSION:

- a) The survey reports and documents listed below have been reviewed by the undersigned and found to be satisfactory
- b) A summary of the survey is attached herewith on sheet 2
- c) The hull special survey has been completed in accordance with the Regulations on [date]

| | | |
|---|-----------------------|-------|
| Executive Summary Report completed by: | Name Signature | Title |
| OFFICE | DATE | |
| Executive Summary Report verified by: | Name Signature | Title |
| OFFICE | DATE | |

Attached reports and documents:

- 1)
- 2)
- 3)
- 4)
- 5)
- 6)

Z10.5

(cont)

TABLE VII (ii)

EXECUTIVE HULL SUMMARY

- | | | | |
|----|-------------------------|---------------------------|--|
| A) | General Particulars: | - | Ref.Table VII (i) |
| B) | Report Review: | - | Where and how survey was done |
| C) | Close-up Survey: | - | Extent (Which tanks) |
| D) | Thickness measurements: | - | Reference to Thickness Measurement report |
| | | - | Summary of where measured |
| | | - | Separate form indicating the tanks/areas with Substantial Corrosion, and corresponding |
| | | - | Thickness diminution |
| | | - | Corrosion pattern |
| E) | Tank Protection: | Separate form indicating: | |
| | | - | Location of coating |
| | | - | Condition of coating (if applicable) |
| F) | Repairs: | - | Identification of tanks/areas |
| G) | Conditions of Class: | | |
| H) | Memoranda: | - | Acceptable defects |
| | | - | Any points of attention for future surveys, e.g. for Suspect Areas. |
| | | - | Extended Annual/Intermediate survey due to coating breakdown |
| I) | Conclusion: | - | Statement on evaluation/verification of survey report |

Z10.5

(cont)

TABLE VII (iii) A – non CSR vessels
EXTRACT OF THICKNESS MEASUREMENT

Reference is made to the thickness measurements report:

| Position of substantially corroded Tanks/Areas or Areas with deep pitting ¹⁾ | Thickness diminution[%] | Corrosion pattern ²⁾ | Remarks: e.g. Ref. attached sketches |
|---|-------------------------|---------------------------------|---|
| | | | |

Remarks:

- 1) Substantial corrosion, i.e. 75 – 100% of acceptable margins wasted.
- 2) P = Pitting; C = Corrosion in General
Any bottom plating with a pitting intensity of 20% or more, with wastage in the substantial corrosion range or having an average depth of pitting of 1/3 or more of actual plate thickness is to be noted.

Z10.5

(cont)

TABLE VII (iii) B – CSR vessels
EXTRACT OF THICKNESS MEASUREMENTS

Reference is made to the thickness measurements report:

| 1) Position of substantially corroded Tanks/Areas or Areas with deep pitting | $t_m - t_{ren}$ (mm) | 2) Corrosion pattern | Remarks: e.g. Ref. Attached sketches |
|--|----------------------|-------------------------|---|
| | | | |

Remarks

- 1) Substantial corrosion, an extent of corrosion such that the assessment of the corrosion pattern indicates a measured thickness between $t_{ren} + 0.5\text{mm}$ and t_{ren} .
- 2) P = Pitting
C = Corrosion in General
Areas with deep pitting assessed according to 8.2 are to be recorded in this column.

Z10.5

(cont)

TABLE VII (iv)
TANK PROTECTION

| Tank/hold nos. ¹⁾ | Tank/hold protection ²⁾ | Coating condition ³⁾ | Remarks |
|------------------------------|------------------------------------|---------------------------------|---------|
| | | | |

Remarks:

- 1) All ballast tanks and cargo holds to be listed.
- 2) C = Coating; NP = No Protection
- 3) Coating condition according to the following standard:

GOOD condition with only minor spot rusting.

FAIR condition with local breakdown at edges of stiffeners and weld connections and/or light rusting over 20% or more of areas under consideration, but less than as defined for POOR condition.

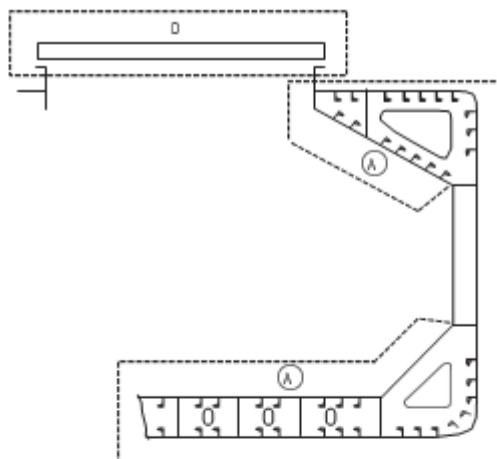
POOR condition with general breakdown of coating over 20% or more of areas or hard scale at 10% or more of areas under consideration.

If coating condition "**POOR**" is given, extended annual surveys are to be introduced. This is to be noted in part H) of the Executive Hull Summary.

Z10.5
(cont)

Typical transverse section

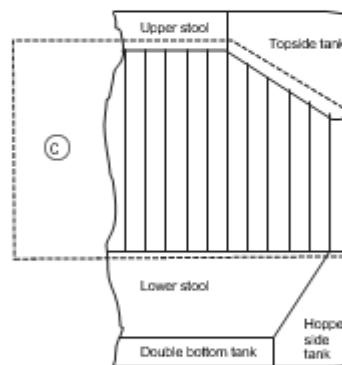
Areas (A) and (D)



Thickness to be reported on TM3-BC, TM4-BC, TM6-BC and TM7-BC as appropriate

A cargo hold, transverse bulkhead

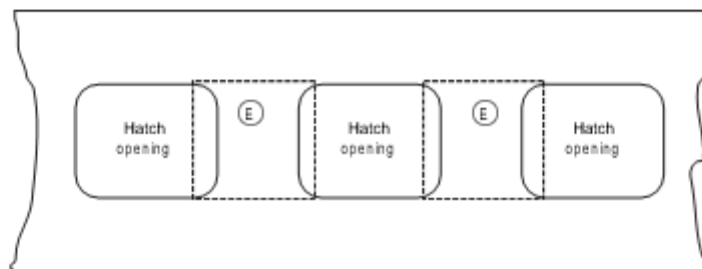
Area (C)



Thickness to be reported on TM5-BC

Typical areas of deck plating and underdeck structure inside line of hatch openings between cargo hold hatches

Area (E)

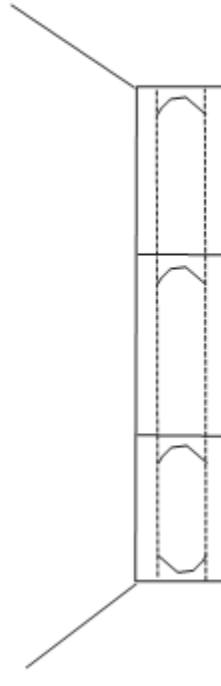


Thickness to be reported on TM6-BC

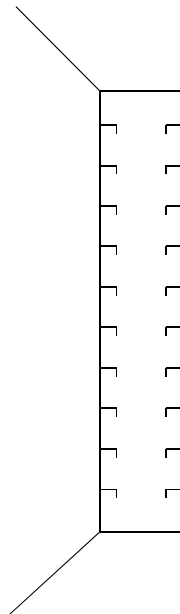
Figure 10 - Close-up survey and thickness measurement areas

Z10.5
(cont)

Area (B)



**Figure 11(a) - Close-up survey and thickness measurement areas
ordinary transverse frame in double skin tank**



**Figure 11(b) - Close-up survey and thickness measurement areas
ordinary longitudinal structure in double skin tank**

| |
|-------------------|
| End of Section |
|-------------------|

Z10.5

(cont)

ANNEX I

GUIDELINES FOR TECHNICAL ASSESSMENT IN CONJUNCTION WITH PLANNING FOR ENHANCED SURVEYS OF DOUBLE SKIN BULK CARRIERS SPECIAL SURVEY- HULL

Contents:

1. INTRODUCTION
2. PURPOSE AND PRINCIPLES
 - 2.1 Purpose
 - 2.2 Minimum Requirements
 - 2.3 Timing
 - 2.4 Aspects to be considered
3. TECHNICAL ASSESSMENT
 - 3.1 General
 - 3.2 Methods
 - 3.2.1 Design Details
 - 3.2.2 Corrosion
 - 3.2.3 Locations for Close-up Survey and Thickness Measurement

REFERENCES

1. IACS, Unified Requirement Z10.5, "Hull Surveys of Double Skin Bulk Carriers"
2. IACS, "Bulk Carriers: Guidelines for Surveys, Assessment and Repair of Hull Structures, January 2002"
3. TSCF, "Guidelines for the Inspection and Maintenance of Double Hull Tanker Structures, 1995"
4. TSCF, "Guidance Manual for Tanker Structures, 1997"

1. INTRODUCTION

These guidelines contain information and suggestions concerning technical assessments, which may be of use in conjunction with the planning of enhanced Special Surveys of double skin bulk carriers. As indicated in 5.1.5 of IACS Unified Requirement Z10.5, "Hull Surveys of Double Skin Bulk Carriers" (Ref. 1), the guidelines are a recommended tool which may be invoked at the discretion of an IACS Member Society, when considered necessary and appropriate, in conjunction with the preparation of the required Survey Programme.

2. PURPOSE AND PRINCIPLES

2.1 Purpose

The purpose of the technical assessments described in these guidelines is to assist in identifying critical structural areas, nominating suspect areas and in focusing attention on structural elements or areas of structural elements which may be particularly susceptible to, or evidence a history of, wastage or damage. This information may be useful in nominating locations, areas holds and tanks for thickness measurement, close-up survey and tank testing.

Z10.5 (cont)

Critical Structural Areas are locations which have been identified from calculations to require monitoring or from the service history of the subject ship or from similar or sister ships (if available) to be sensitive to cracking, buckling or corrosion which would impair the structural integrity of the ship.

2.2 Minimum Requirements

However, these guidelines may not be used to reduce the requirements pertaining to thickness measurement, close-up survey and tank testing contained in Tables I and II and in paragraph 2.5, respectively, of Z10.5, which are, in all cases, to be complied with as a minimum.

2.3 Timing

As with other aspects of survey planning, the technical assessments described in these guidelines should be worked out by the Owner or operator in cooperation with the Classification Society well in advance of the commencement of the Special Survey, i.e. prior to commencing the survey and normally at least 12 to 15 months before the survey's completion due date.

2.4 Aspects to be considered

Technical assessments, which may include quantitative or qualitative evaluation of relative risks of possible deterioration, of the following aspects of a particular ship may be used as a basis for the nomination of holds, tanks and areas for survey:

- Design features such as stress levels on various structural elements, design details and extent of use of high tensile steel.
- Former history with respect to corrosion, cracking, buckling, indents and repairs for the particular ship as well as similar vessels, where available.
- Information with respect to types of cargo carried, use of different holds/tanks for cargo/ballast, protection of holds and tanks and condition of coating, if any.

Technical assessments of the relative risks of susceptibility to damage or deterioration of various structural elements and areas are to be judged and decided on the basis of recognized principles and practices, such as may be found in publications of IACS (Ref 2) and Tanker Structure Cooperative Forum (TSCF), (Refs. 3 and 4).

3. TECHNICAL ASSESSMENT

3.1 General

There are three basic types of possible failure, which may be the subject of technical assessment in connection with planning of surveys; **corrosion**, **cracks** and **buckling**. Contact damages are not normally covered by the survey planning since indents are usually noted in memoranda and assumed to be dealt with as a normal routine by Surveyors.

Technical assessments performed in conjunction with the survey planning process are, in principle, to be as shown schematically in Figure 1. The approach is basically an evaluation of the risk in the following aspects based on the knowledge and experience related to:

- Design
- Corrosion.

Z10.5 (cont)

The design is to be considered with respect to structural details, which may be susceptible to buckling or cracking as a result of vibration, high stress levels or fatigue. Corrosion is related to the ageing process, and is closely connected with the quality of corrosion prevention systems fitted at new building, and subsequent maintenance during the service life. Corrosion may also lead to cracking and/or buckling.

3.2 Methods

3.2.1 Design Details

Damage experience related to the ship in question and sister and/or similar ships, where available, is the main source of information to be used in the process of planning. In addition, a selection of structural details from the design drawings is to be included.

Typical damage experience to be considered will consist of:

- Number, extent, location and frequency of cracks
- Location of buckles.

This information may be found in the survey reports and/or the Owner's files, including the results of the Owner's own inspections. The defects are to be analyzed, noted and marked on sketches.

In addition, general experience is to be utilized. Also, reference is to be made to IACS's "Bulk Carriers: Guidelines for Survey, Assessment and Repair," (Ref. 2) which contains a catalogue of typical damages and proposed repair methods for various structural details on single skin bulk carriers. Reference should also be made to the TSCF's publication mentioned in Ref. 3, which contains catalogues of typical damages and proposed repair methods for double hull oil tanker structural details which may to some extent be similar to structural details in double skin bulk carriers. Such figures are to be used together with a review of the main drawings, in order to compare with the actual structure and search for similar details that may be susceptible to damage. In particular, Chapter 3 of Ref. 3 deals with various aspects specific to double hull tankers, such as stress concentration locations, misalignment during construction, corrosion trends, fatigue considerations and areas requiring special attention, while Chapter 4 of Ref. 3 addresses experience gained on structural defects in double hulls (chemical tankers, OBO carriers, ore/oil carriers, gas carriers), which are also to be considered in working out the survey planning.

The review of the main structural drawings, in addition to using the above-mentioned figures, is to include checking for typical design details where cracking has been experienced. The factors contributing to damage are to be carefully considered.

The use of high tensile steel (HTS) is an important factor. Details showing good service experience where ordinary, mild steel has been used may be more susceptible to damage when HTS, and its higher associated stresses, are utilized. There is extensive and, in general, good experience, with the use of HTS for longitudinal material in deck and bottom structures. Experience in other locations, where the dynamic stresses may be higher, is less favourable, e.g. side structures.

In this respect, stress calculations of typical and important components and details, in accordance with the latest Rules or other relevant methods may prove useful and are to be considered.

The selected areas of the structure identified during this process should be recorded and marked on the structural drawings to be included in the Survey Programme.

Z10.5 (cont)

3.2.2 Corrosion

In order to evaluate relative corrosion risks, the following information is generally to be considered:

- Usage of Tanks, Holds and Spaces
- Condition of Coatings
- Cleaning Procedures
- Previous Corrosion Damage
- Ballast use and time for Cargo Holds
- Risk of Corrosion in Cargo Holds and Ballast Tanks
- Location of Ballast Tanks Adjacent to Heated Fuel Oil Tanks

Ref. 4 gives definitive examples which can be used for judging and describing coating condition, using typical pictures of conditions.

The evaluation of corrosion risks is to be based on information in both Ref. 2 and Ref. 4, as far as applicable to double skin bulk carriers, together with relevant information on the anticipated condition of the ship as derived from the information collected in order to prepare the Survey Programme and the age of the ship. The various holds, tanks and spaces are to be listed with the corrosion risks nominated accordingly.

3.2.3 Locations for Close-up Survey and Thickness Measurement

On the basis of the table of corrosion risks and the evaluation of design experience, the locations for initial close-up survey and thickness measurement (areas and sections) may be nominated.

The sections subject to thickness measurement are to normally be nominated in tanks, holds and spaces where corrosion risk is judged to be the highest.

The nomination of tanks, holds and spaces for close-up survey is to, initially, be based on highest corrosion risk, and is to always include ballast tanks. The principle for the selection should that the extent is increased by age or where information is insufficient or unreliable.

Z10.5
(cont)

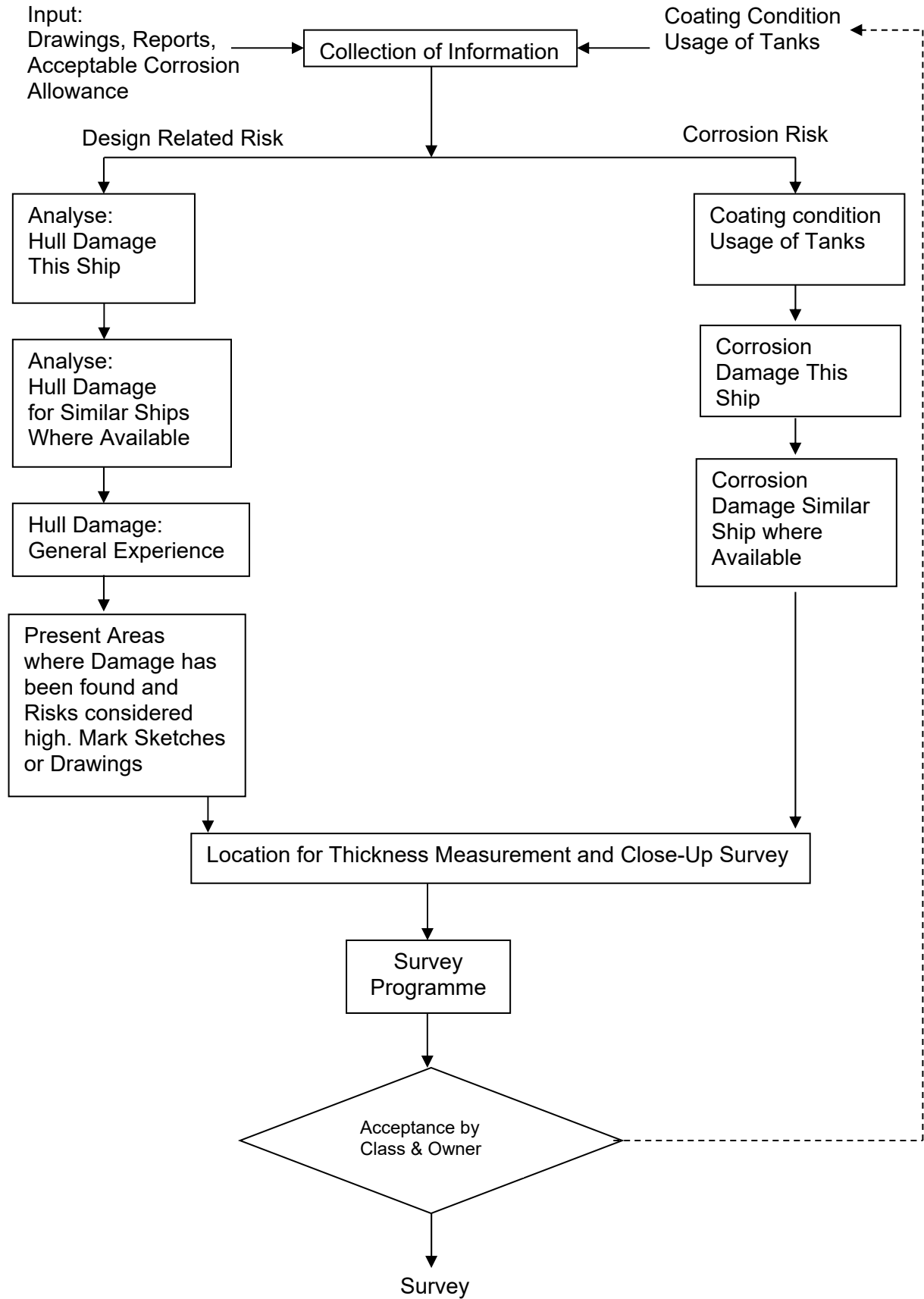


Figure 1: Technical Assessment & the Survey Planning Process

End of Annex I

Z10.5
(cont)

ANNEX II

RECOMMENDED PROCEDURES FOR THICKNESS MEASUREMENTS OF DOUBLE SKIN BULK CARRIERS *

*

Note: Annex II is recommendatory.

Z10.5

(cont)

CONTENTS

- Sheet 1 - Contents
- Sheet 2 - Instructions
- Sheet 3 - General Particulars
- REPORTS**
- Sheet 4 - Report TM1-DSBC for recording the thickness measurements of all deck plating, all bottom shell plating and side shell plating
- Sheet 5 - Report TM2-DSBC (i) for recording the thickness measurement of shell and deck plating at transverse sections - strength deck and sheerstrake plating
- Sheet 6 - Report TM2-DSBC (ii) for recording the thickness measurement of shell and deck plating at transverse sections - shell plating
- Sheet 7 - Report TM3-DSBC for recording the thickness measurement of longitudinal members at transverse sections (including double hull structure)
- Sheet 8 - Report TM4-DSBC for recording the thickness measurement of transverse structural members (including common frames, web frames and transverse bulkheads in double hull tanks)
- Sheet 9 - Report TM5-DSBC for recording the thickness measurement of W.T. transverse bulkheads in cargo holds
- Sheet 10 - Report TM6-DSBC for recording the thickness measurement of miscellaneous structural members
- GUIDANCE**
- Sheet 11 - Typical transverse section of a double skin bulk carrier. The diagram includes details of the items to be measured and the report forms to be used.
- Sheet 12 - Typical transverse section of an ore carrier. The diagram includes details of the items to be measured and the report forms to be used.
- Sheet 13 - Thickness Measurement - Double Skin Bulk Carriers
Transverse section outline. The diagram may be used for those ships where the diagrams on sheet 11 and 12 are not suitable.
- Sheet 14 - Thickness Measurement - Ore Carriers
Areas subject to close-up surveys and thickness measurements - areas (A) to (E) as defined in Table I of the UR Z10.5.

Z10.5
(cont)**INSTRUCTION**

Sheet 2

Recommended Procedures for Thickness Measurements of Double Skin Bulk Carriers

1. This document is to be used for recording thickness measurements as required by IACS Unified Requirement Z10.5.
2. Reporting forms TM1-DSBC, TM2-DSBC, TM3-DSBC, TM4-DSBC, TM5-DSBC and TM6-DSBC (sheets 4-10) are to be used for recording thickness measurements and the maximum allowable diminution should be stated.
The maximum allowable diminution could be stated in an attached document.
3. The remaining sheets 11-14 are guidance diagrams and notes relating to the reporting forms and the procedure for the thickness measurements.

Z10.5
(cont)**GENERAL PARTICULARS**

Sheet 3

Ship's name:-

IMO Number:-

Class Identification number:-

Port of registry:-

Gross tons:-

Deadweight:-

Date of build:-

Classification Society:-

Name of Firm performing the thickness measurement:-

Thickness measurement firm certified by:-

Certificate No. :-

Certificate valid from.....to.....

Place of measurement:-

First date of measurement:-

Last date of measurement:-

Special survey/intermediate survey due:-*

Details of measurement equipment:-

Qualification of operator:-

Report Number:-

Consisting of.....Sheets

Name of operator:-

Name of surveyor:-

Signature of operator:-

Signature of surveyor:-

Firm official stamp:-

Classification Society
Official Stamp:-

* Delete as appropriate

Z10.5 TM1-DSBC
(cont)

Report on THICKNESS MEASUREMENT of ALL DECK PLATING, ALL BOTTOM SHELL PLATING and SIDE SHELL PLATING* (* - delete as appropriate)

Sheet 4

Ship's name.....

Class Identity No.

Report No.

| STRAKE POSITION | | | | | | | | | | | | | | | | | | |
|-----------------|---------------|--------------|-----------------|---|--------------|---|--------------|---|-------------|---|--------------|---|--------------|---|-------------------|---|------------------------------|--|
| PLATE POSITION | No. or Letter | Org. Thk. mm | Forward Reading | | | | | | Aft Reading | | | | | | Mean Diminution % | | Maximum Allowable Diminution | |
| | | | Gauged | | Diminution P | | Diminution S | | Gauged | | Diminution P | | Diminution S | | P | S | mm | |
| | | | P | S | mm | % | mm | % | P | S | mm | % | mm | % | | | | |
| 12th forward | | | | | | | | | | | | | | | | | | |
| 11th | | | | | | | | | | | | | | | | | | |
| 10th | | | | | | | | | | | | | | | | | | |
| 9th | | | | | | | | | | | | | | | | | | |
| 8th | | | | | | | | | | | | | | | | | | |
| 7th | | | | | | | | | | | | | | | | | | |
| 6th | | | | | | | | | | | | | | | | | | |
| 5th | | | | | | | | | | | | | | | | | | |
| 4th | | | | | | | | | | | | | | | | | | |
| 3rd | | | | | | | | | | | | | | | | | | |
| 2nd | | | | | | | | | | | | | | | | | | |
| 1st | | | | | | | | | | | | | | | | | | |
| Amidships | | | | | | | | | | | | | | | | | | |
| 1st aft | | | | | | | | | | | | | | | | | | |
| 2nd | | | | | | | | | | | | | | | | | | |
| 3rd | | | | | | | | | | | | | | | | | | |
| 4th | | | | | | | | | | | | | | | | | | |
| 5th | | | | | | | | | | | | | | | | | | |
| 6th | | | | | | | | | | | | | | | | | | |
| 7th | | | | | | | | | | | | | | | | | | |
| 8th | | | | | | | | | | | | | | | | | | |
| 9th | | | | | | | | | | | | | | | | | | |
| 10th | | | | | | | | | | | | | | | | | | |
| 11th | | | | | | | | | | | | | | | | | | |
| 12th | | | | | | | | | | | | | | | | | | |

Operators Signature.....

NOTES – See Reverse

Z10.5

(cont)

NOTES TO REPORT TM1-DSBC

1. This report is to be used for recording the thickness measurement of:-
 - 1.1 All strength deck plating within cargo length area.
 - 1.2 All keel, bottom shell plating and bilge plating within the cargo length area.
 - 1.3 Side shell plating including selected wind and water strakes outside cargo length area.
 - 1.4 All wind and water strakes within cargo length area.
2. The strake position is to be cleared indicates as follows:-
 - 2.1 For strength deck indicate the number of the strake of plating inboard from the stringer plate.
 - 2.2 For bottom plating indicate the number of the strake of plating outboard from the keel plate.
 - 2.3 For side shell plating give number of the strake of plating sheerstrake and letter as shown on shell expansion.
3. Only the deck plating strakes outside line of openings are to be recorded.
4. Measurements are to be taken at the forward and aft areas of all plates and where plates cross ballast/cargo tank boundaries separate measurements for the area of plating in way of each type of tank are to be recorded.
5. The single measurements recorded are to represent the average of multiple measurements.
6. The maximum allowable diminution could be stated in an attached document.

Z10.5 TM2-DSBC (i)
(cont)

**Report on THICKNESS MEASUREMENT OF SHELL AND DECK PLATING at transverse sections
(one, two or three transverse sections)**

Sheet 5

Ship's name.....

Class Identity No.

Report No.

| STRENGTH DECK AND SHEERSTRAKE PLATING | | | | | | | | | | | | | | | | | | | | | | | | | | | | |
|---------------------------------------|--|-----------------|-----------------------|--------|---|--------------|---|--------------|---|---|-----------------|-----------------------|--------|---|--------------|--|--------------|---|---------------|-----------------|-----------------------|--------|---|--------------|---|--------------|---|--|
| STRAKE POSITION | FIRST TRANSVERSE SECTION AT FRAME NUMBER | | | | | | | | | SECOND TRANSVERSE SECTION AT FRAME NUMBER | | | | | | THIRD TRANSVERSE SECTION AT FRAME NUMBER | | | | | | | | | | | | |
| | No. or Letter | Org. Thk. mm | Max. Alwb. Dim. mm | Gauged | | Diminution P | | Diminution S | | No. or Letter | Org. Thk. mm | Max. Alwb. Dim. mm | Gauged | | Diminution P | | Diminution S | | No. or Letter | Org. Thk. mm | Max. Alwb. Dim. mm | Gauged | | Diminution P | | Diminution S | | |
| | | | | P | S | mm | % | mm | % | | | | P | S | mm | % | mm | % | | | | P | S | mm | % | mm | % | |
| Stringer Plate | | | | | | | | | | | | | | | | | | | | | | | | | | | | |
| 1st strake inboard | | | | | | | | | | | | | | | | | | | | | | | | | | | | |
| 2nd | | | | | | | | | | | | | | | | | | | | | | | | | | | | |
| 3rd | | | | | | | | | | | | | | | | | | | | | | | | | | | | |
| 4th | | | | | | | | | | | | | | | | | | | | | | | | | | | | |
| 5th | | | | | | | | | | | | | | | | | | | | | | | | | | | | |
| 6th | | | | | | | | | | | | | | | | | | | | | | | | | | | | |
| 7th | | | | | | | | | | | | | | | | | | | | | | | | | | | | |
| 8th | | | | | | | | | | | | | | | | | | | | | | | | | | | | |
| 9th | | | | | | | | | | | | | | | | | | | | | | | | | | | | |
| 10th | | | | | | | | | | | | | | | | | | | | | | | | | | | | |
| 11th | | | | | | | | | | | | | | | | | | | | | | | | | | | | |
| 12th | | | | | | | | | | | | | | | | | | | | | | | | | | | | |
| 13th | | | | | | | | | | | | | | | | | | | | | | | | | | | | |
| 14th | | | | | | | | | | | | | | | | | | | | | | | | | | | | |
| centre strake | | | | | | | | | | | | | | | | | | | | | | | | | | | | |
| sheer strake | | | | | | | | | | | | | | | | | | | | | | | | | | | | |
| TOPSIDE TOTAL | | | | | | | | | | | | | | | | | | | | | | | | | | | | |

Operators Signature.....

NOTES – See Reverse

Z10.5

(cont)

NOTES TO REPORT TM2-DSBC (i)

1. This report is to be used for recording the thickness measurement of:-
Strength deck plating and sheerstrake plating transverse sections:-

One, two or three sections within the cargo length area, comprising the structural items (0), (1) and (2) as shown on the diagrams of typical transverse sections illustrated on sheets 11, 12 and 13 of this document.
2. Only the deck plating strakes outside line of hatch openings are to be recorded.
3. The top side area comprises deck plating, stringer plate and sheerstrake (including rounded gunwales).
4. The exact frame station of measurement is to be stated.
5. The single measurements recorded are to represent the average of multiple measurements.
6. The maximum allowable diminution could be stated in an attached document.

Z10.5 TM2-DSBC (ii)
(cont)

**Report on THICKNESS MEASUREMENT OF SHELL AND DECK PLATING at transverse sections
(one, two or three transverse sections)**

Sheet 6

Ship's name.....

Class Identity No.

Report No.

SHELL PLATING

| STRAKE POSITION | FIRST TRANSVERSE SECTION AT FRAME NUMBER | | | | | | | | | SECOND TRANSVERSE SECTION AT FRAME NUMBER | | | | | | | | THIRD TRANSVERSE SECTION AT FRAME NUMBER | | | | | | | | | | | |
|------------------------|--|-----------|-----------------|--------|---|--------------|---|--------------|---|---|-----------|-----------------|--------|---|--------------|---|--------------|--|---------------|-----------|-----------------|--------|---|--------------|---|--------------|---|--|--|
| | No. or Letter | Org. Thk. | Max. Alwb. Dim. | Gauged | | Diminution P | | Diminution S | | No. or Letter | Org. Thk. | Max. Alwb. Dim. | Gauged | | Diminution P | | Diminution S | | No. or Letter | Org. Thk. | Max. Alwb. Dim. | Gauged | | Diminution P | | Diminution S | | | |
| | | | | P | S | mm | % | mm | % | | | | P | S | mm | % | mm | % | | | | P | S | mm | % | mm | % | | |
| 1st below sheer strake | | | | | | | | | | | | | | | | | | | | | | | | | | | | | |
| 2nd | | | | | | | | | | | | | | | | | | | | | | | | | | | | | |
| 3rd | | | | | | | | | | | | | | | | | | | | | | | | | | | | | |
| 4th | | | | | | | | | | | | | | | | | | | | | | | | | | | | | |
| 5th | | | | | | | | | | | | | | | | | | | | | | | | | | | | | |
| 6th | | | | | | | | | | | | | | | | | | | | | | | | | | | | | |
| 7th | | | | | | | | | | | | | | | | | | | | | | | | | | | | | |
| 8th | | | | | | | | | | | | | | | | | | | | | | | | | | | | | |
| 9th | | | | | | | | | | | | | | | | | | | | | | | | | | | | | |
| 10th | | | | | | | | | | | | | | | | | | | | | | | | | | | | | |
| 11th | | | | | | | | | | | | | | | | | | | | | | | | | | | | | |
| 12th | | | | | | | | | | | | | | | | | | | | | | | | | | | | | |
| 13th | | | | | | | | | | | | | | | | | | | | | | | | | | | | | |
| 14th | | | | | | | | | | | | | | | | | | | | | | | | | | | | | |
| 15th | | | | | | | | | | | | | | | | | | | | | | | | | | | | | |
| 16th | | | | | | | | | | | | | | | | | | | | | | | | | | | | | |
| 17th | | | | | | | | | | | | | | | | | | | | | | | | | | | | | |
| 18th | | | | | | | | | | | | | | | | | | | | | | | | | | | | | |
| 19th | | | | | | | | | | | | | | | | | | | | | | | | | | | | | |
| 20th | | | | | | | | | | | | | | | | | | | | | | | | | | | | | |
| keel strake | | | | | | | | | | | | | | | | | | | | | | | | | | | | | |
| BOTTOM TOTAL | | | | | | | | | | | | | | | | | | | | | | | | | | | | | |

Operators Signature.....

NOTES – See Reverse

Z10.5

(cont)

NOTES TO REPORT TM2-DSBC (ii)

1. This report is to be used for recording the thickness measurement of:-

Shell plating at transverse sections:

One, two or three sections within the cargo length area, comprising the structural items (3), (4), (5) and (6) as shown on the diagrams of typical transverse sections illustrated on sheets 11, 12 and 13 of this document.

2. The bottom area comprises keel, bottom and bilge plating.
3. The exact frame station of measurement is to be stated.
4. The single measurements recorded are to represent the average of multiple measurements.
5. The maximum allowable diminution could be stated in an attached document.

Z10.5 TM3-DSBC
(cont)

**Report on THICKNESS MEASUREMENT OF LONGITUDINAL MEMBERS at transverse sections
(one, two or three transverse sections)**

Sheet 7

Ship's name.....

Class Identity No.

Report No.

| STRUCTURAL MEMBER | FIRST TRANSVERSE SECTION AT FRAME NUMBER | | | | | | | | | | SECOND TRANSVERSE SECTION AT FRAME NUMBER | | | | | | THIRD TRANSVERSE SECTION AT FRAME NUMBER | | | | | | | | | | | | |
|-------------------|--|-----------|-----------------|--------|----|--------------|---|--------------|---|----------|---|-----------------|--------|---|--------------|----|--|---|----------|-----------|-----------------|--------|---|--------------|---|--------------|----|---|---|
| | Item No. | Org. Thk. | Max. Alwb. Dim. | Gauged | | Diminution P | | Diminution S | | Item No. | Org. Thk. | Max. Alwb. Dim. | Gauged | | Diminution P | | Diminution S | | Item No. | Org. Thk. | Max. Alwb. Dim. | Gauged | | Diminution P | | Diminution S | | | |
| | | | | mm | mm | P | S | mm | % | | | | mm | % | mm | mm | P | S | | | | mm | % | mm | % | mm | mm | P | S |
| | | | | | | | | | | | | | | | | | | | | | | | | | | | | | |
| | | | | | | | | | | | | | | | | | | | | | | | | | | | | | |
| | | | | | | | | | | | | | | | | | | | | | | | | | | | | | |
| | | | | | | | | | | | | | | | | | | | | | | | | | | | | | |
| | | | | | | | | | | | | | | | | | | | | | | | | | | | | | |
| | | | | | | | | | | | | | | | | | | | | | | | | | | | | | |
| | | | | | | | | | | | | | | | | | | | | | | | | | | | | | |
| | | | | | | | | | | | | | | | | | | | | | | | | | | | | | |
| | | | | | | | | | | | | | | | | | | | | | | | | | | | | | |
| | | | | | | | | | | | | | | | | | | | | | | | | | | | | | |
| | | | | | | | | | | | | | | | | | | | | | | | | | | | | | |
| | | | | | | | | | | | | | | | | | | | | | | | | | | | | | |
| | | | | | | | | | | | | | | | | | | | | | | | | | | | | | |
| | | | | | | | | | | | | | | | | | | | | | | | | | | | | | |

Operators Signature.....

NOTES – See Reverse

Z10.5

(cont)

NOTES TO REPORT TM3-DSBC

1. This report is to be used for recording the thickness measurement of:-

Longitudinal Members at transverse sections:-

Two, or three sections within the cargo length area comprising the appropriate structural items (10) to (25) as shown on diagrams of typical transverse sections illustrated on sheets 11, 12 and 13 of this document.

2. The exact frame station of measurement is to be stated.
3. The single measurements recorded are to represent the average of multiple measurements.
4. The maximum allowable diminution could be stated in an attached document.

Z10.5
(cont)

TM4-DSBC

**Report on THICKNESS MEASUREMENT OF TRANSVERSE STRUCTURAL MEMBERS
In the double bottom, hopper side and topside water ballast tanks**

Sheet 8

Ship's name.....

Class Identity No.

Report No.

| TANK DESCRIPTION: | | | | | | | | | |
|------------------------|------|--------------------------|-----------------------|--------|---|-----------------|---|-----------------|---|
| LOCATION OF STRUCTURE: | | | | | | | | | |
| STRUCTURAL MEMBER | ITEM | Original Thickness mm | Max. Alwb. Dim. mm | Gauged | | Diminution P | | Diminution S | |
| | | | | P | S | mm | % | mm | % |
| | | | | | | | | | |
| | | | | | | | | | |
| | | | | | | | | | |
| | | | | | | | | | |
| | | | | | | | | | |
| | | | | | | | | | |
| | | | | | | | | | |
| | | | | | | | | | |
| | | | | | | | | | |
| | | | | | | | | | |
| | | | | | | | | | |
| | | | | | | | | | |
| | | | | | | | | | |

Operators Signature.....

NOTES – See Reverse

Z10.5

(cont)

NOTES TO REPORT TM4-DSBC

1. This report is to be used for recording the thickness measurement of:

Transverse structural members, comprising the appropriate structural items (30) to (34) as shown on diagrams of typical transverse sections illustrated on sheets 11, 12 and 13 of this document.
2. Guidance for areas of measurements is indicated on sheet 14 of this document.
3. The single measurements recorded are to represent the average of multiple measurements.
4. The maximum allowable diminution could be stated in an attached document.

Z10.5

(cont)

NOTES TO REPORT TM5-DSBC

1. This report form is to be used for recording the thickness measurement of:
W.T. transverse bulkheads in cargo holds
2. Guidance for areas of measurements is indicated on sheet 14 of this document.
3. The single measurements recorded are to represent the average of multiple measurements.
4. The maximum allowable diminution could be stated in an attached document.

Z10.5 TM6-DSBC

Report on THICKNESS MEASUREMENT OF MISCELLANEOUS STRUCTURAL MEMBERS

Sheet 10

(cont) Ship's name.....

Class Identity No.

Report No.

| STRUCTURAL MEMBER: | | | | | | SKETCH | | | | | | |
|------------------------|--------------|--------------------|--------|---|--------------|--------|--|--|--|--------------|----|---|
| LOCATION OF STRUCTURE: | | | | | | | | | | | | |
| Description | Org. Thk. mm | Max. Alwb. Dim. mm | Gauged | | Diminution P | | | | | Diminution S | | |
| | | | P | S | mm | | | | | % | mm | % |
| | | | | | | | | | | | | |
| | | | | | | | | | | | | |
| | | | | | | | | | | | | |
| | | | | | | | | | | | | |
| | | | | | | | | | | | | |
| | | | | | | | | | | | | |
| | | | | | | | | | | | | |
| | | | | | | | | | | | | |
| | | | | | | | | | | | | |
| | | | | | | | | | | | | |
| | | | | | | | | | | | | |
| | | | | | | | | | | | | |

Operators Signature.....

NOTES – See Reverse

Z10.5
(cont)**NOTES TO REPORT TM6-DSBC**

1. This report is to be used for recording the thickness measurement of:

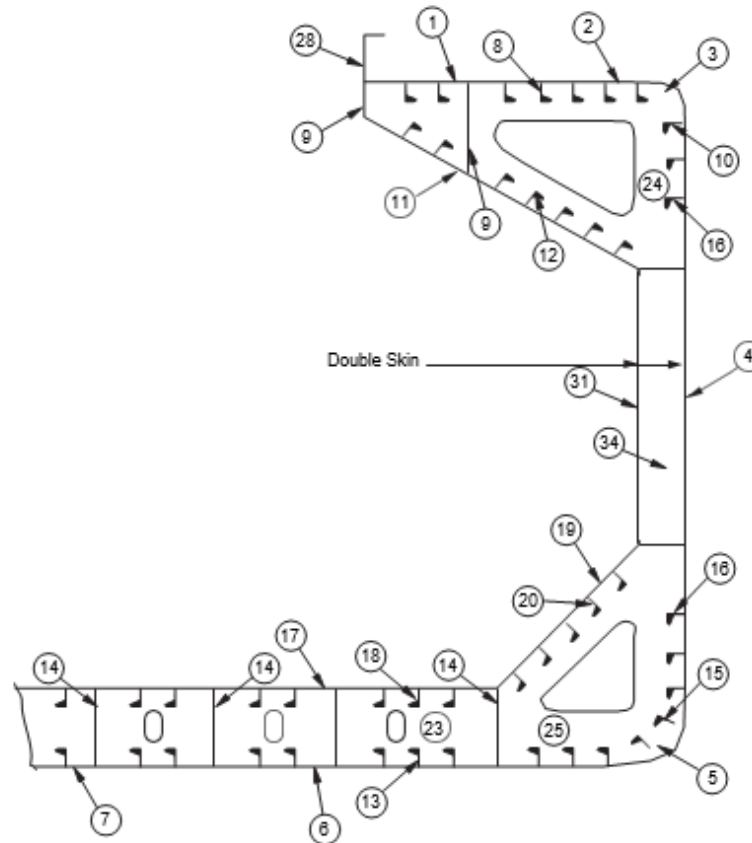
Miscellaneous structural members including the structural items (40), (41) and (42) as shown on diagrams of typical transverse sections illustrated on sheets 11, 12 and 13 of this document.
2. Guidance for areas of measurement is indicated on sheet 14 of this document.
3. The single measurements recorded are to represent the average of multiple measurements.
4. The maximum allowable diminution could be stated in an attached document.

Z10.5

(cont)

Thickness Measurement - Double Skin Bulk Carriers

Typical transverse section of a double skin bulk carrier with indication of longitudinal and transverse members



| Report on TM2-DSBC (i) & (ii) | |
|----------------------------------|-----------------------|
| 1. | Strength deck plating |
| 2. | Stringer plate |
| 3. | Sheerstrake |
| 4. | Side shell plating |
| 5. | Bilge plating |
| 6. | Bottom shell plating |
| 7. | Keel plate |

| Report on TM3-DSBC | | | |
|--------------------|--|-----|--|
| 8. | Deck longitudinals | 17. | Inner bottom plating |
| 9. | Deck girders | 18. | Inner bottom longitudinals |
| 10. | Sheerstrake longitudinals | 19. | Hopper plating |
| 11. | Topside tank sloping plate | 20. | Hopper longitudinals |
| 12. | Topside tank sloping plate longitudinals | 21. | Inner side plating |
| 13. | Bottom longitudinals | - | Inner side longitudinals, if any |
| 14. | Bottom girders | - | Horizontal girders in wing ballast tanks |
| 15. | Bilge longitudinals | | |
| 16. | Side shell longitudinals, if any | | |

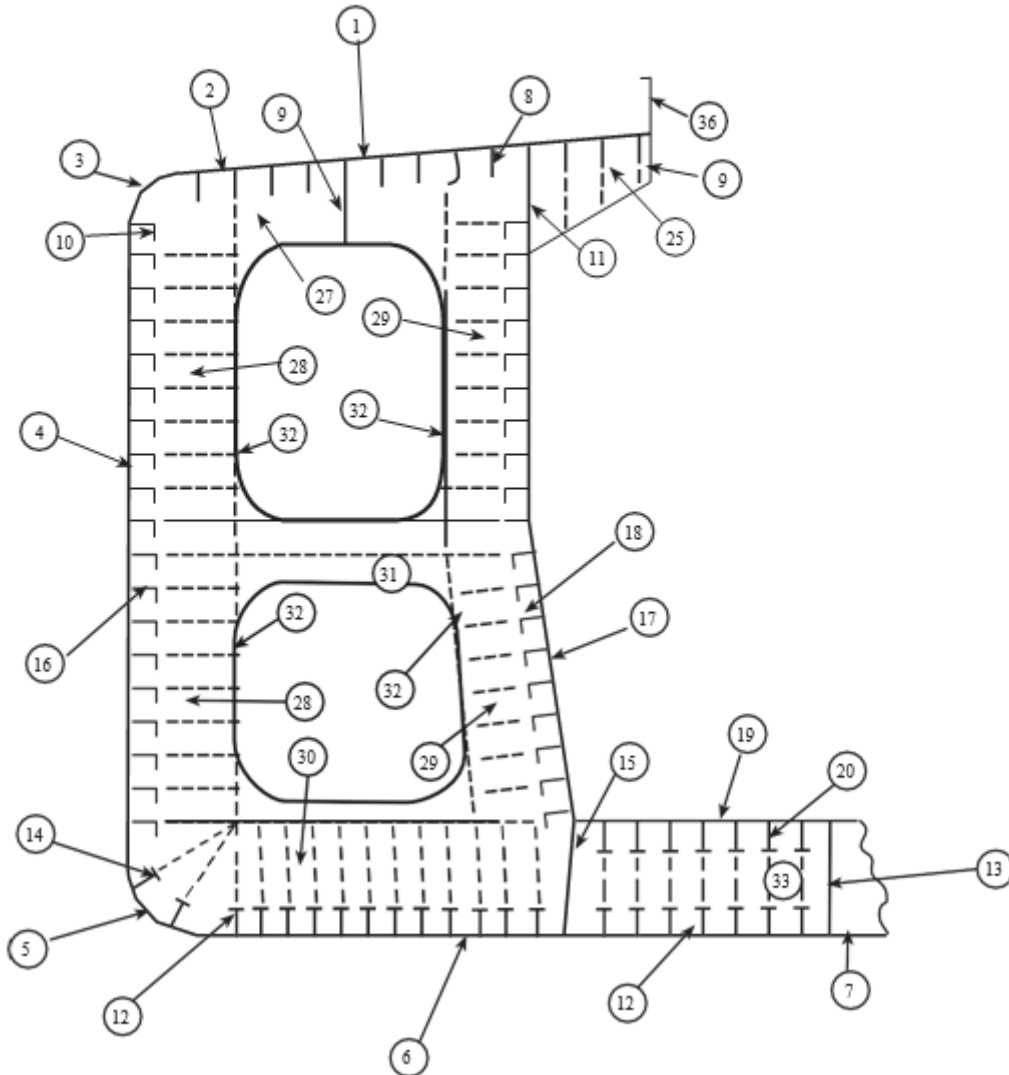
| Report on TM4-DSBC | |
|--------------------|-----------------------------|
| 23. | Double bottom tank floors |
| 25. | Hopper side tank transverse |
| 34. | Transverse web frame |
| - | Topside tank transverse |

| Report on TM6-DSBC | |
|--------------------|------------------------------|
| 28. | Hatch coamings |
| - | Deck plating between hatches |
| - | Hatch covers |

Z10.5
(cont)

Thickness Measurement - Ore Carriers

Typical transverse section of an ore carrier with indication of longitudinal and transverse members



| Report on TM2-DSBC (i) & (ii) | |
|-------------------------------|-----------------------|
| 1. | Strength deck plating |
| 2. | Stringer plate |
| 3. | Sheerstrake |
| 4. | Side shell plating |
| 5. | Bilge plating |
| 6. | Bottom shell plating |
| 7. | Keel plate |

| Report on TM3-DSBC | |
|--------------------|---|
| 8. | Deck longitudinals |
| 9. | Deck girders |
| 10. | Sheerstrake longitudinals |
| 11. | Longitudinal bulkhead top strake |
| 12. | Bottom longitudinals |
| 13. | Bottom girders |
| 14. | Bilge longitudinals |
| 15. | Longitudinal bulkhead lower strake |
| 16. | Side shell longitudinals |
| 17. | Longitudinal bulkhead plating (remainder) |
| 18. | Longitudinal bulkhead longitudinals |
| 19. | Inner bottom plating |
| 20. | Inner bottom longitudinals |
| 21. | |
| 22. | |
| 23. | |
| 24. | |

| Report on TM4-DSBC | |
|--------------------|------------------------------------|
| 25. | Deck transverse centre tank |
| 26. | Bottom transverse centre tank |
| 27. | Deck transverse wing tank |
| 28. | Side shell vertical web |
| 29. | Longitudinal bulkhead vertical web |
| 30. | Bottom transverse wing tank |
| 31. | Struts |
| 32. | Transverse web face plate |
| 33. | D.B. Floors |
| 34. | |
| 35. | |

| Report on TM6-DSBC | |
|--------------------|------------------------------|
| 36. | Hatch coamings |
| 37. | Deck plating between hatches |
| 38. | Hatch covers |
| 39. | |
| 40. | |

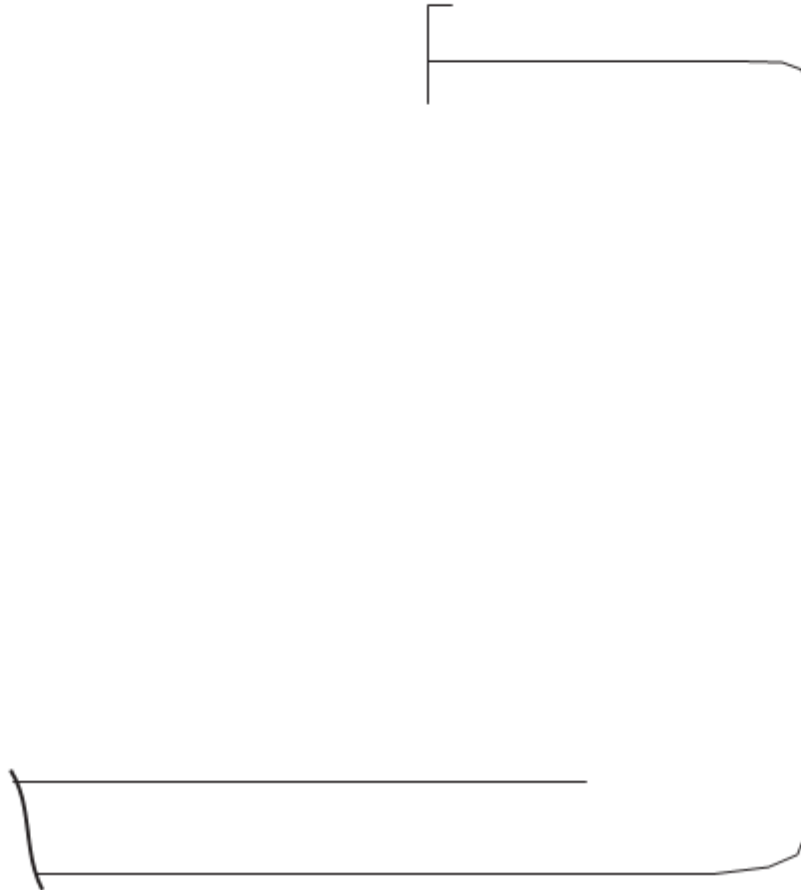
Z10.5

(cont)

Sheet 13

Thickness Measurement - Double Skin Bulk Carriers

Transverse section outline: The diagram may be used for those ships where the diagrams on sheet 11 and 12 are not suitable



| Report on TM2-DSBC (i) & (ii) | |
|----------------------------------|-----------------------|
| 1. | Strength deck plating |
| 2. | Stringer plate |
| 3. | Sheerstrake |
| 4. | Side shell plating |
| 5. | Bilge plating |
| 6. | Bottom shell plating |
| 7. | Keel plate |

| Report on TM3-DSBC | | | |
|--------------------|--|-----|--|
| 8. | Deck longitudinals | 17. | Inner bottom plating |
| 9. | Deck girders | 18. | Inner bottom longitudinals |
| 10. | Sheerstrake longitudinals | 19. | Hopper plating |
| 11. | Topside tank sloping plate | 20. | Hopper longitudinals |
| 12. | Topside tank sloping plate longitudinals | 31. | Inner side plating |
| 13. | Bottom longitudinals | - | Inner side longitudinals, if any |
| 14. | Bottom girders | - | Horizontal girders in wing ballast tanks |
| 15. | Bilge longitudinals | | |
| 16. | Side shell longitudinals, if any | | |

| Report on TM4-DSBC | |
|--------------------|------------------------------|
| 23. | Double bottom tank floors |
| 25. | Hopper side tank transverses |
| 34. | Transverse web frame |
| - | Topside tank transverses |

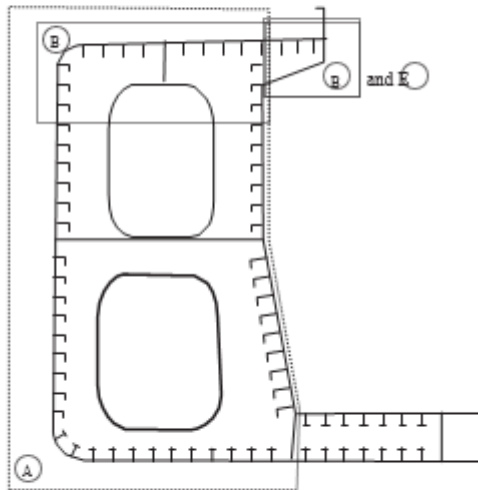
| Report on TM6-DSBC | |
|--------------------|------------------------------|
| 28. | Hatch coamings |
| - | Deck plating between hatches |
| - | Hatch covers |

Z10.5
(cont)

Thickness Measurement - Ore Carriers

Areas subject to close up survey and thickness measurements - areas (A) to (E) as defined in Table I of UR Z10.5 - Thickness to be reported on TM3-DSBC, TM4-DSBC, TM5-DSBC and TM6-DSBC as appropriate

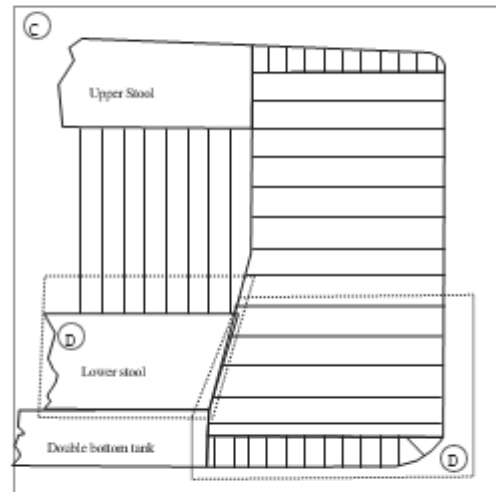
Typical transverse section close-up survey



Thickness to be reported on TM3-DSBC and TM4-DSBC as appropriate

Close-up survey area

Typical transverse bulkhead



Thickness to be reported on TM5-DSBC

Z10.5
(cont)

ANNEX II (CSR)

**IACS RECOMMENDED PROCEDURES FOR THICKNESS MEASUREMENTS OF
DOUBLE SKIN BULK CARRIERS BUILT UNDER IACS COMMON STRUCTURAL RULES***

*

Note: Annex II (CSR) is recommendatory.

Z10.5

(cont)

CONTENTS

Sheet 1

- Sheet 1 - Contents
- Sheet 2 - Instructions
- Sheet 3 - General particulars
- REPORTS**
- Sheet 4 - Report TM1-DSBC(CSR) for recording the thickness measurement of all deck plating, all bottom plating and side shell plating
- Sheet 5 - Report TM2-DSBC(CSR) (i) for recording the thickness measurement of shell and deck plating at transverse sections - strength deck and sheerstrake plating
- Sheet 6 - Report TM2-DSBC(CSR) (ii) for recording the thickness measurement of shell plating at transverse sections
- Sheet 7 - Report TM3-DSBC(CSR) for recording the thickness measurement of longitudinal members at transverse sections (including double hull structure)
- Sheet 8 - Report TM4-DSBC(CSR) for recording the thickness measurement of transverse structural members (including common frames, web frames and transverse bulkheads in double hull tanks)
- Sheet 9 - Report TM5-DSBC(CSR) for recording the thickness measurement of W.T. transverse bulkheads in cargo holds
- Sheet 10 - Report TM6-DSBC(CSR) for recording the thickness measurement of miscellaneous structural members
- GUIDANCE**
- Sheet 11 - Typical transverse section of a double skin bulk carrier. The diagram includes details of the items to be measured and the report forms to be used.
- Sheet 12 - Thickness Measurement - Double Skin Bulk Carriers
Transverse section outline. This diagram may be used for those ships where the diagram on sheet 11 is not suitable.
- Sheet 13 - Sketches of double skin bulk carrier showing typical areas for thickness measurement of structural members and transverse bulkheads in association with close-up survey requirements. – areas (A) to (E) as defined in Table I of the UR Z10.5.

Z10.5
(cont)**INSTRUCTIONS**

Sheet 2

IACS Recommended Procedures for Thickness Measurements of Double Skin Bulk Carriers Built under IACS Common Structural Rules

1. This document is to be used for recording thickness measurements of double skin bulk carriers built under IACS Common Structural Rules as required by the IACS Unified Requirement Z10.5.
2. Reporting forms TM1-DSBC(CSR), TM2-DSBC(CSR) (i) and (ii), TM3-DSBC(CSR), TM4-DSBC(CSR), TM5-DSBC(CSR) and TM6-DSBC(CSR) (sheets 4-10) are to be used for recording thickness measurements. The as-built thickness and the voluntary thickness addition and renewal thickness (minimum allowable thickness) are to be stated in the said forms.
3. The remaining sheets 11-13 are guidance diagrams and notes relating to the reporting forms and the procedure for the thickness measurement.

Z10.5

(cont)

GENERAL PARTICULARS

Sheet 3

Ships name:-

IMO number:-

Class identity number:-

Port of registry:-

Gross tons:-

Deadweight:-

Date of build:-

Classification Society:-

Name of Firm performing thickness measurement:-

Thickness measurement firm certified by:-

Certificate No:-

Certificate valid from.....to.....

Place of measurement:-

First date of measurement:-

Last date of measurement:-

Special survey/intermediate survey due:-*

Details of measurement equipment:-

Qualification of operators:-

Report Number:-

consisting of.....Sheets

Name of operator:-

Name of surveyor:-

Signature of operator:-

Signature of surveyor:-

Firm official stamp:-

Classification Society
Official Stamp:-

* Delete as appropriate

Z10.5 TM1-DSBC(CSR)
(cont)

**Report on THICKNESS MEASUREMENT of ALL DECK PLATING, ALL BOTTOM PLATING
or SIDE SHELL PLATING***
(* - delete as appropriate)

Sheet 4

Ship's name.....

Class Identity No.....

Report No.....

| STRAKE POSITION | | | | | | | | | | | | | | | |
|-----------------|---------------|------------------|---------------------------------|-----------------------------|---------------------|---|--|---|---------------------|---|--|---|-----------------------------------|---|--|
| PLATE POSITION | No. or Letter | As Built Thk. mm | Voluntary Thickness Addition mm | Renewal Thickness mm (a) | Forward Reading | | | | Aft Reading | | | | Mean Remaining Corr. Addition, mm | | |
| | | | | | Gauged Thk. mm (b1) | | Remaining Corr. Addition, mm (c1)=(b1)-(a) | | Gauged Thk. mm (b2) | | Remaining Corr. Addition, mm (c2)=(b2)-(a) | | [(c1)+(c2)]/2 | | |
| | | | | | P | S | P | S | P | S | P | S | P | S | |
| 12th forward | | | | | | | | | | | | | | | |
| 11th | | | | | | | | | | | | | | | |
| 10th | | | | | | | | | | | | | | | |
| 9th | | | | | | | | | | | | | | | |
| 8th | | | | | | | | | | | | | | | |
| 7th | | | | | | | | | | | | | | | |
| 6th | | | | | | | | | | | | | | | |
| 5th | | | | | | | | | | | | | | | |
| 4th | | | | | | | | | | | | | | | |
| 3rd | | | | | | | | | | | | | | | |
| 2nd | | | | | | | | | | | | | | | |
| 1st | | | | | | | | | | | | | | | |
| Amidships | | | | | | | | | | | | | | | |
| 1st aft | | | | | | | | | | | | | | | |
| 2nd | | | | | | | | | | | | | | | |
| 3rd | | | | | | | | | | | | | | | |
| 4th | | | | | | | | | | | | | | | |
| 5th | | | | | | | | | | | | | | | |
| 6th | | | | | | | | | | | | | | | |
| 7th | | | | | | | | | | | | | | | |
| 8th | | | | | | | | | | | | | | | |
| 9th | | | | | | | | | | | | | | | |
| 10th | | | | | | | | | | | | | | | |
| 11th | | | | | | | | | | | | | | | |
| 12th | | | | | | | | | | | | | | | |

Operators Signature.....

NOTES – See Reverse

Z10.5

(cont)

NOTES TO REPORT TM1-DSBC(CSR)

1. This report is to be used for recording the thickness measurement of:-
 - 1.1 All strength deck plating within cargo length area.
 - 1.2 All keel, bottom shell plating and bilge plating within the cargo length area.
 - 1.3 Side shell plating including selected wind and water strakes outside the cargo length area.
 - 1.4 All wind and water strakes within the cargo length area.
2. The strake position is to be cleared indicated as follows:-
 - 2.1 For strength deck indicate the number of the strake of plating inboard from the stringer plate.
 - 2.2 For bottom plating indicate the number of the strake of plating outboard from the keel plate.
 - 2.3 For side shell plating give number of the strake of plating sheerstrake and letter as shown on shell expansion.
3. Only the deck plating strakes outside line of openings are to be recorded.
4. Measurements are to be taken at the forward and aft areas of all plates and the single measurements recorded are to represent the average of multiple measurements.
5. The remaining corrosion addition is to be recorded with result of gauged thickness minus renewal thickness. If the result is negative, the structure in way shall be renewed, and the mark "R" is to be indicated in the right-hand column. If the result is between 0 and 0.5 mm (0 included), the structure in way shall be additional gauged, and the mark "S" is to be indicated in the right-hand column.

Z10.5 TM2-DSBC(CSR) (i) Report on THICKNESS MEASUREMENT OF SHELL AND DECK PLATING
(cont) (one, two or three transverse sections)

Sheet 5

Ship's name.....

Class Identity No.....

Report No.....

| STRENGTH DECK AND SHEERSTRAKE PLATING | | | | | | | | | | | | | | | | | | | | | | | | | |
|---------------------------------------|--|------------------|-------------------|--------------|--------------------|---|--------------------------------------|---|---|------------------|-------------------|--------------|--------------------|---|--------------------------------------|---|--|------------------|-------------------|--------------|--------------------|---|--------------------------------------|---|--|
| STRAKE POSITION | FIRST TRANSVERSE SECTION AT FRAME NUMBER | | | | | | | | SECOND TRANSVERSE SECTION AT FRAME NUMBER | | | | | | | | THIRD TRANSVERSE SECTION AT FRAME NUMBER | | | | | | | | |
| | No. or Letter | As Built Thk. mm | Vol. Thk. Add. mm | Ren. Thk. mm | Gauged Thk. mm (b) | | Remaining Corr. Addition, mm (b)-(a) | | No. or Letter | As Built Thk. mm | Vol. Thk. Add. mm | Ren. Thk. mm | Gauged Thk. mm (b) | | Remaining Corr. Addition, mm (b)-(a) | | No. or Letter | As Built Thk. mm | Vol. Thk. Add. mm | Ren. Thk. mm | Gauged Thk. mm (b) | | Remaining Corr. Addition, mm (b)-(a) | | |
| | | | | | P | S | P | S | | | | | P | S | P | S | | | | | P | S | P | S | |
| Stringer Plate | | | | | | | | | | | | | | | | | | | | | | | | | |
| 1st strake inboard | | | | | | | | | | | | | | | | | | | | | | | | | |
| 2nd | | | | | | | | | | | | | | | | | | | | | | | | | |
| 3rd | | | | | | | | | | | | | | | | | | | | | | | | | |
| 4th | | | | | | | | | | | | | | | | | | | | | | | | | |
| 5th | | | | | | | | | | | | | | | | | | | | | | | | | |
| 6th | | | | | | | | | | | | | | | | | | | | | | | | | |
| 7th | | | | | | | | | | | | | | | | | | | | | | | | | |
| 8th | | | | | | | | | | | | | | | | | | | | | | | | | |
| 9th | | | | | | | | | | | | | | | | | | | | | | | | | |
| 10th | | | | | | | | | | | | | | | | | | | | | | | | | |
| 11th | | | | | | | | | | | | | | | | | | | | | | | | | |
| 12th | | | | | | | | | | | | | | | | | | | | | | | | | |
| 13th | | | | | | | | | | | | | | | | | | | | | | | | | |
| 14th | | | | | | | | | | | | | | | | | | | | | | | | | |
| centre strake | | | | | | | | | | | | | | | | | | | | | | | | | |
| sheer strake | | | | | | | | | | | | | | | | | | | | | | | | | |
| TOPSIDE TOTAL | | | | | | | | | | | | | | | | | | | | | | | | | |

Operators Signature.....

NOTES – See Reverse

Z10.5
(cont)

NOTES TO REPORT TM2-DSBC(CSR) (i)

1. This report is to be used for recording the thickness measurement of:-

Strength deck plating and sheerstrake plating transverse sections:-

One, two or three sections within the cargo length area, comprising of the structural items (1), (2) and (3) as shown on the diagram of typical transverse sections illustrated on sheets 11 and 12 of this document.

2. Only the deck plating strakes outside the line of openings are to be recorded.
3. The topside area comprises deck plating, stringer plate and sheerstrake (including rounded gunwales).
4. The exact frame station of measurement is to be stated.
5. The single measurements recorded are to represent the average of multiple measurements.
6. The remaining corrosion addition is to be recorded with result of gauged thickness minus renewal thickness. If the result is negative, the structure in way shall be renewed, and the mark "R" is to be indicated in the right-hand column. If the result is between 0 and 0.5 mm (0 included), the structure in way shall be additional gauged, and the mark "S" is to be indicated in the right-hand column.

Z10.5 TM2-DSBC(CSR) (ii) Report on THICKNESS MEASUREMENT OF SHELL PLATING
(one, two or three transverse sections)
(cont)

Sheet 6

Ship's name.....

Class Identity No.....

Report No.....

SHELL PLATING

| STRAKE POSITION | FIRST TRANSVERSE SECTION AT FRAME NUMBER | | | | | | | | SECOND TRANSVERSE SECTION AT FRAME NUMBER | | | | | | | | THIRD TRANSVERSE SECTION AT FRAME NUMBER | | | | | | | |
|------------------------------------|--|------------------|-------------------|--------------|----------------|---|------------------------------|---|---|------------------|-------------------|--------------|----------------|---|------------------------------|---|--|------------------|-------------------|--------------|----------------|---|------------------------------|---|
| | No. or Letter | As Built Thk. mm | Vol. Thk. Add. mm | Ren. Thk. mm | Gauged Thk. mm | | Remaining Corr. Addition, mm | | No. or Letter | As Built Thk. mm | Vol. Thk. Add. mm | Ren. Thk. mm | Gauged Thk. mm | | Remaining Corr. Addition, mm | | No. or Letter | As Built Thk. mm | Vol. Thk. Add. mm | Ren. Thk. mm | Gauged Thk. mm | | Remaining Corr. Addition, mm | |
| | | | | | (b) | | (b)-(a) | | | | | | (b) | | (b)-(a) | | | | | | (b) | | (b)-(a) | |
| | | | | | P | S | P | S | | | | | P | S | P | S | | | | | P | S | P | S |
| 1 st below sheer strake | | | | | | | | | | | | | | | | | | | | | | | | |
| 2 nd | | | | | | | | | | | | | | | | | | | | | | | | |
| 3 rd | | | | | | | | | | | | | | | | | | | | | | | | |
| 4 th | | | | | | | | | | | | | | | | | | | | | | | | |
| 5 th | | | | | | | | | | | | | | | | | | | | | | | | |
| 6 th | | | | | | | | | | | | | | | | | | | | | | | | |
| 7 th | | | | | | | | | | | | | | | | | | | | | | | | |
| 8 th | | | | | | | | | | | | | | | | | | | | | | | | |
| 9 th | | | | | | | | | | | | | | | | | | | | | | | | |
| 10 th | | | | | | | | | | | | | | | | | | | | | | | | |
| 11 th | | | | | | | | | | | | | | | | | | | | | | | | |
| 12 th | | | | | | | | | | | | | | | | | | | | | | | | |
| 13 th | | | | | | | | | | | | | | | | | | | | | | | | |
| 14 th | | | | | | | | | | | | | | | | | | | | | | | | |
| 15 th | | | | | | | | | | | | | | | | | | | | | | | | |
| 16 th | | | | | | | | | | | | | | | | | | | | | | | | |
| 17 th | | | | | | | | | | | | | | | | | | | | | | | | |
| 18 th | | | | | | | | | | | | | | | | | | | | | | | | |
| 19 th | | | | | | | | | | | | | | | | | | | | | | | | |
| 20 th | | | | | | | | | | | | | | | | | | | | | | | | |
| Keel strake | | | | | | | | | | | | | | | | | | | | | | | | |
| BOTTOM TOTAL | | | | | | | | | | | | | | | | | | | | | | | | |

Operators Signature.....

NOTES – See Reverse

Z10.5

(cont)

NOTES TO REPORT TM2-DSBC(CSR) (ii)

1. This report is to be used for recording the thickness measurement of:-

Shell plating at transverse sections:-

One, two or three sections within the cargo length area, comprising of the structural items (4), (5), (6) and (7) as shown on the diagram of typical transverse sections illustrated on sheets 11 and 12 of this document.
2. The bottom area comprises keel, bottom and bilge plating.
3. The exact frame station of measurement is to be stated.
4. The single measurements recorded are to represent the average of multiple measurements.
5. The remaining corrosion addition is to be recorded with result of gauged thickness minus renewal thickness. If the result is negative, the structure in way shall be renewed, and the mark "R" is to be indicated in the right-hand column. If the result is between 0 and 0.5 mm (0 included), the structure in way shall be additional gauged, and the mark "S" is to be indicated in the right-hand column.

Z10.5
(cont)**NOTES TO REPORT TM3-DSBC(CSR)**

1. This report is to be used for recording the thickness measurement of:-

Longitudinal Members at transverse sections:-

One, two or three sections within the cargo length area, comprising of the appropriate structural items (8) to (20) and (31) as shown on diagram of typical transverse sections illustrated on sheets 11 and 12 of this document.

2. The exact frame station of measurement is to be stated.
3. The single measurements recorded are to represent the average of multiple measurements.
4. The remaining corrosion addition is to be recorded with result of gauged thickness minus renewal thickness. If the result is negative, the structure in way shall be renewed, and the mark "R" is to be indicated in the right-hand column. If the result is between 0 and 0.5 mm (0 included), the structure in way shall be additional gauged, and the mark "S" is to be indicated in the right-hand column.

Z10.5

(cont)

NOTES TO REPORT TM4-DSBC(CSR)

1. This report is to be used for recording the thickness measurement of:-

Transverse structural members, comprising of the appropriate structural items (23) to (25) and (34) as shown on diagram of typical transverse section, illustrated on sheets 11 and 12 of this document.
2. Guidance for areas if measurement is indicated on the diagrams shown on sheet 13 of this document.
3. The single measurements recorded are to represent the average of multiple measurements.
4. The remaining corrosion addition is to be recorded with result of gauged thickness minus renewal thickness. If the result is negative, the structure in way shall be renewed, and the mark "R" is to be indicated in the right-hand column. If the result is between 0 and 0.5 mm (0 included), the structure in way shall be additional gauged, and the mark "S" is to be indicated in the right-hand column.

Z10.5 TM5-DSBC(CSR) Report on THICKNESS OF CARGO HOLD TRANSVERSE BULKHEADS
(cont)

Sheet 9

Ship's name.....

Class Identity No.....

Report No.....

| HOLD DESCRIPTION: | | | | | | | | | |
|---|-----------------------------|--|-----------------------------------|-------------------------------|------------|---|---|---|---|
| LOCATION OF STRUCTURE: | | | | | FRAME NO.: | | | | |
| STRUCTURAL COMPONENT (PLATING/STIFFENER) | As Built Thickness mm | Voluntary Thickness Addition mm | Renewal Thickness mm (a) | Gauged Thickness mm (b) | | Remaining Corr. Addition mm (b)-(a) | | | |
| | | | | P | S | P | S | P | S |
| | | | | | | | | | |
| | | | | | | | | | |
| | | | | | | | | | |
| | | | | | | | | | |
| | | | | | | | | | |
| | | | | | | | | | |
| | | | | | | | | | |
| | | | | | | | | | |
| | | | | | | | | | |
| | | | | | | | | | |
| | | | | | | | | | |
| | | | | | | | | | |
| | | | | | | | | | |
| | | | | | | | | | |
| | | | | | | | | | |
| | | | | | | | | | |
| | | | | | | | | | |
| | | | | | | | | | |

Operators Signature.....

NOTES – See Reverse

Z10.5

(cont)

NOTES TO REPORT TM5-DSBC(CSR)

1. This report form is to be used for recording the thickness measurement of:-
W.T. transverse bulkheads in cargo holds
2. Guidance for areas of measurement is indicated on the diagrams shown on sheet 13 of this document.
3. The single measurements recorded are to represent the average of multiple measurements.
4. The remaining corrosion addition is to be recorded with result of gauged thickness minus renewal thickness. If the result is negative, the structure in way shall be renewed, and the mark "R" is to be indicated in the right-hand column. If the result is between 0 and 0.5 mm (0 included), the structure in way shall be additional gauged, and the mark "S" is to be indicated in the right-hand column.

Z10.5 TM6-DSBC(CSR)
(cont)

Report on THICKNESS MEASUREMENT OF MISCELLANEOUS STRUCTURAL MEMBERS

Sheet 10

Ship's name.....

Class Identity No.....

Report No.....

| STRUCTURAL MEMBER: | | | | | | SKETCH | | | | | | | |
|------------------------|------------------|---------------------------------|--------------------------|-------------------------|---|--------|--|--|--|-------------------------------------|---|---|---|
| LOCATION OF STRUCTURE: | | | | | | | | | | | | | |
| Description | As Built Thk. mm | Voluntary Thickness Addition mm | Renewal Thickness mm (a) | Gauged Thickness mm (b) | | | | | | Remaining Corr. Addition mm (b)-(a) | | | |
| | | | | P | S | | | | | P | S | P | S |
| | | | | | | | | | | | | | |
| | | | | | | | | | | | | | |
| | | | | | | | | | | | | | |
| | | | | | | | | | | | | | |
| | | | | | | | | | | | | | |
| | | | | | | | | | | | | | |
| | | | | | | | | | | | | | |
| | | | | | | | | | | | | | |
| | | | | | | | | | | | | | |
| | | | | | | | | | | | | | |
| | | | | | | | | | | | | | |
| | | | | | | | | | | | | | |

Operators Signature.....

NOTES – See Reverse

Z10.5

(cont)

NOTES TO REPORT TM6-DSBC(CSR)

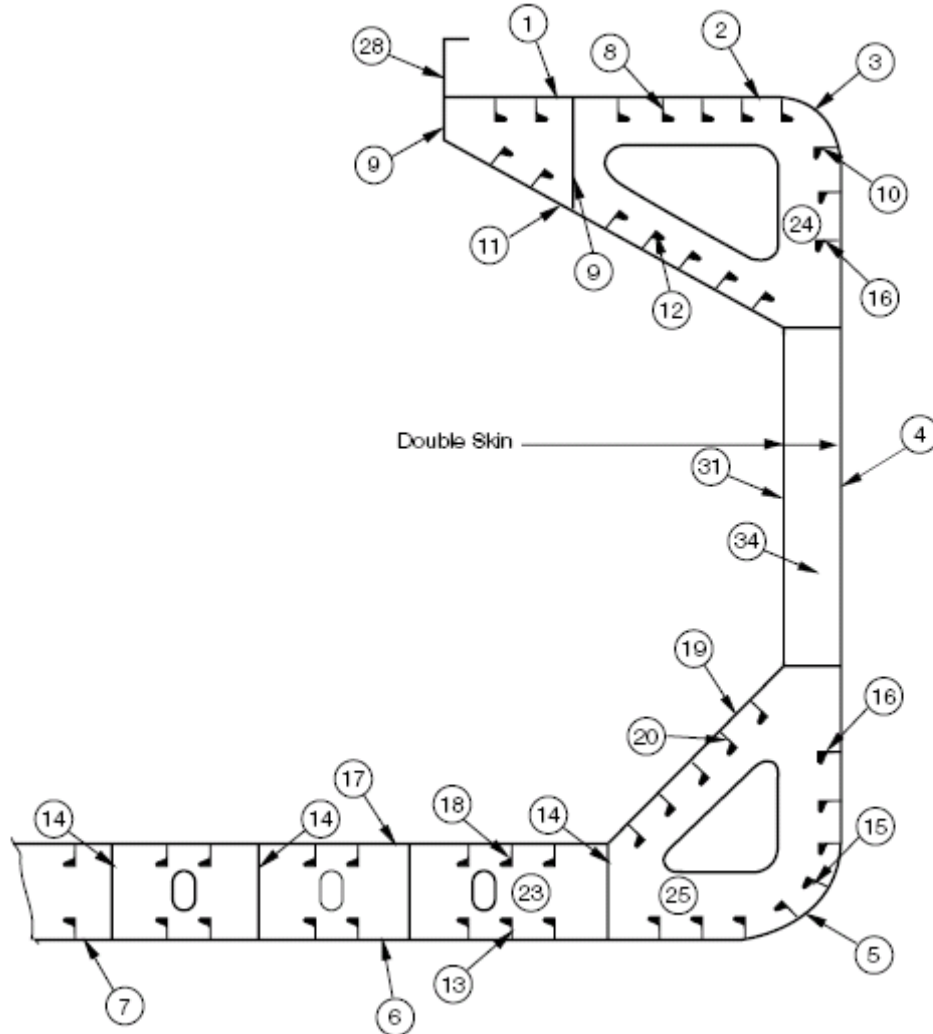
1. This report is to be used for recording the thickness measurement of:-

Miscellaneous structural members including the structural items (28) as shown on diagram of typical transverse section illustrated on sheets 11 and 12 of this document.
2. Guidance for areas of measurement is indicated on sheet 13 of this document.
3. The single measurements recorded are to represent the average of multiple measurements.
4. The remaining corrosion addition is to be recorded with result of gauged thickness minus renewal thickness. If the result is negative, the structure in way shall be renewed, and the mark "R" is to be indicated in the right-hand column. If the result is between 0 and 0.5 mm (0 included), the structure in way shall be additional gauged, and the mark "S" is to be indicated in the right-hand column.

Z10.5
(cont)

Thickness Measurement - Double Skin Bulk Carriers

Typical transverse section of a double skin bulk carrier with indication of longitudinal and transverse members



| Report on TM2-DSBC(CSR) (i) & (ii) | |
|---------------------------------------|-----------------------|
| 1. | Strength deck plating |
| 2. | Stringer plate |
| 3. | Sheerstrake |
| 4. | Side shell plating |
| 5. | Bilge plating |
| 6. | Bottom plating |
| 7. | Keel plate |

| Report on TM3-DSBC(CSR) | | | |
|-------------------------|--|-----|--|
| 8. | Deck longitudinals | 17. | Inner bottom plating |
| 9. | Deck girders | 18. | Inner bottom longitudinals |
| 10. | Sheerstrake longitudinals | 19. | Hopper plating |
| 11. | Topside tank sloping plate | 20. | Hopper longitudinals |
| 12. | Topside tank sloping plate longitudinals | 31. | Inner side plating |
| 13. | Bottom longitudinals | - | Inner side longitudinals, if any |
| 14. | Bottom girders | - | Horizontal girders in wing ballast tanks |
| 15. | Bilge longitudinals | | |
| 16. | Side shell longitudinals, if any | | |

| Report on TM4-DSBC(CSR) | |
|-------------------------|---|
| 23. | Double bottom tank floors |
| 24. | Topside tank transverses |
| 25. | Hopper side tank transverses |
| 34. | Transverse web frame |
| - | Ordinary transverse frame in double skin tank |

| Report on TM6-DSBC(CSR) | |
|-------------------------|------------------------------|
| 28. | Hatch coamings |
| - | Deck plating between hatches |
| - | Hatch covers |

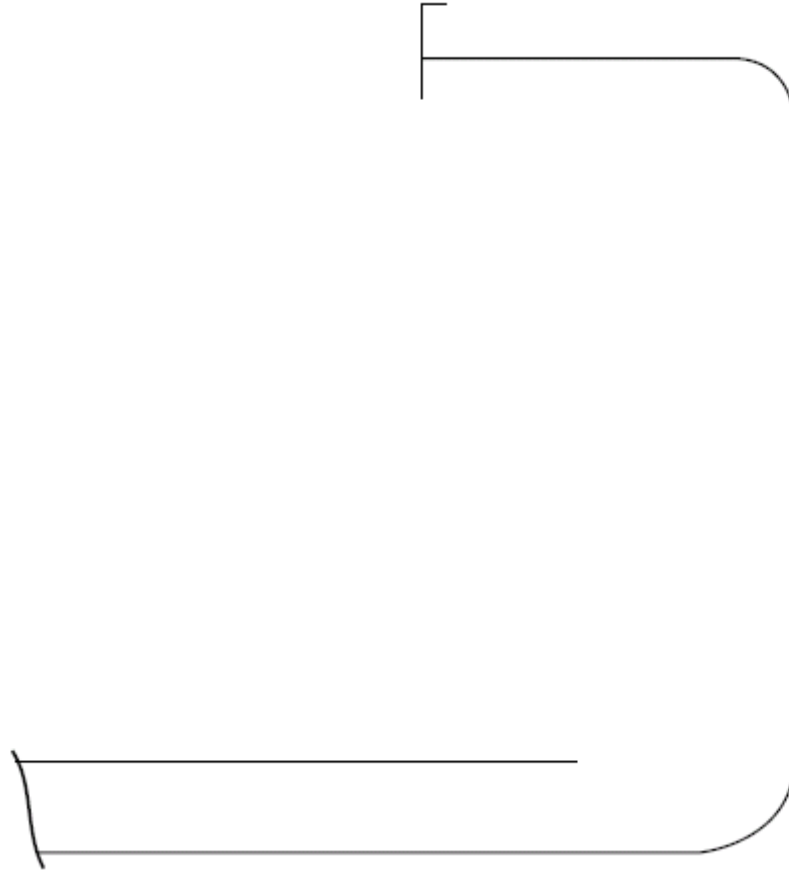
Z10.5

(cont)

Thickness Measurement - Double Skin Bulk Carriers

Sheet 12

Transverse section outline: This diagram may be used for those ships where the diagram on sheet 11 is not suitable



| Report on TM2-DSBC(CSR) (i) & (ii) | |
|---------------------------------------|-----------------------|
| 1. | Strength deck plating |
| 2. | Stringer plate |
| 3. | Sheerstrake |
| 4. | Side shell plating |
| 5. | Bilge plating |
| 6. | Bottom plating |
| 7. | Keel plate |

| Report on TM3-DSBC(CSR) | | | |
|-------------------------|---|-----|--|
| 8. | Deck longitudinal | 17. | Inner bottom plating |
| 9. | Deck girders | 18. | Inner bottom longitudinals |
| 10. | Sheerstrake longitudinals | 19. | Hopper plating |
| 11. | Topside tank sloping plating | 20. | Hopper longitudinals |
| 12. | Topside tank sloping plating longitudinal | 31. | Inner side plating |
| 13. | Bottom longitudinals | - | Inner side longitudinals, if any |
| 14. | Bottom girders | - | Horizontal girders in wing ballast tanks |
| 15. | Bilge longitudinals | | |
| 16. | Side shell longitudinals, if any | | |

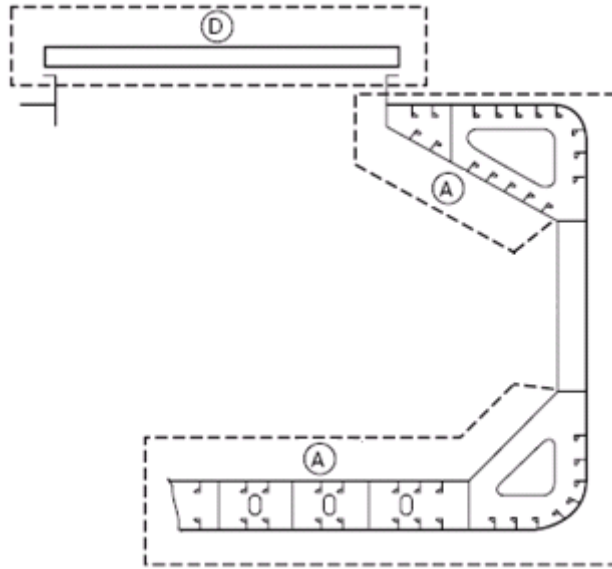
| Report on TM4-DSBC(CSR) | |
|-------------------------|---|
| 23. | Double bottom tank floors |
| 24. | Topside tank transverses |
| 25. | Hopper side tank transverses |
| 34. | Transverse web frame |
| - | Ordinary transverse frame in double skin tank |

| Report on TM6-DSBC(CSR) | |
|-------------------------|------------------------------|
| 28. | Hatch coamings |
| - | Deck plating between hatches |
| - | Hatch covers |

Z10.5
(cont)

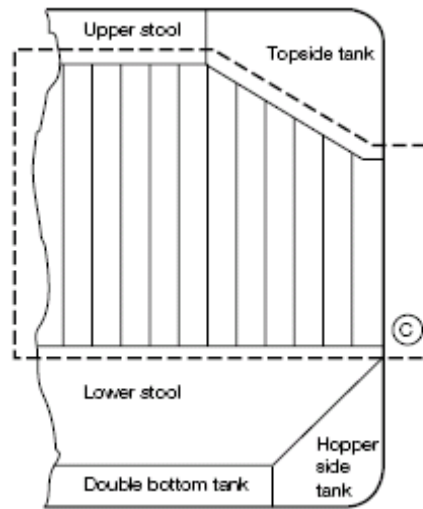
Close-up Survey and Thickness Measurement Areas

Typical transverse section
Areas A and D



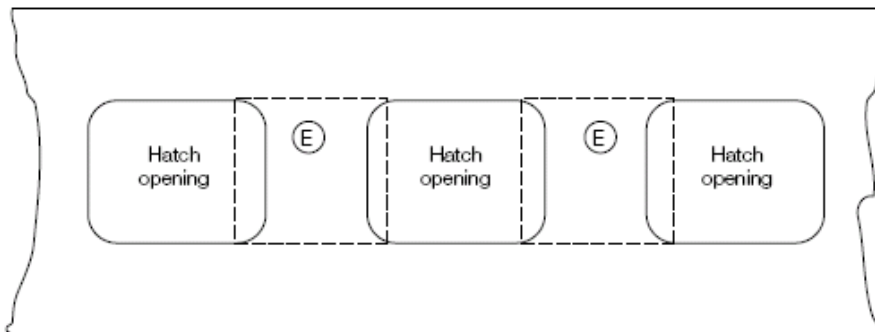
Thickness to be reported on TM3-DSBC(CSR), TM4-DSBC(CSR), TM6-DSBC(CSR) as appropriate

A cargo hold, transverse bulkhead
Area C



Thickness to be reported on TM5-DSBC(CSR)

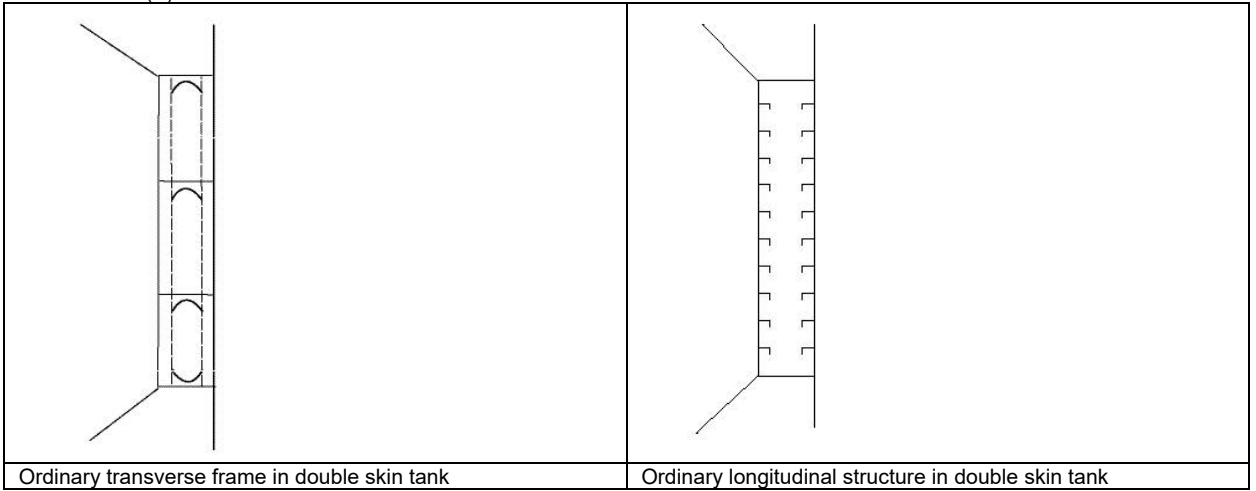
Typical areas of deck plating inside line
of hatch openings between cargo hold hatches
Area E



Thickness to be reported on TM6-DSBC(CSR)

Z10.5
(cont)

Framing in double-side tanks
Area (B)



Thickness to be reported on TM4-DSBC(CSR)

End of
Annex II

End of Annex II

Z10.5
(cont)

ANNEX III

Z10.5 1 **Preamble** (cont)

1.1 **Scope**

1.1.1 The present survey programme covers the minimum extent of overall surveys, close-up surveys, thickness measurements and pressure testing within the cargo length area, cargo holds, ballast tanks, including fore and aft peak tanks, required by UR Z10.5.

1.1.2 The arrangements and safety aspects of the survey are to be acceptable to the attending surveyor(s).

1.2 **Documentation**

All documents used in the development of the survey programme are to be available onboard during the survey as required by section 6.

2 Arrangement of cargo holds, tanks and spaces

This section of the survey programme is to provide information (either in the form of plans or text) on the arrangement of cargo holds, tanks and spaces that fall within the scope of the survey.

3 List of cargo holds, tanks and spaces with information on their use, extent of coatings and corrosion prevention system

This section of the survey programme is to indicate any changes relating to (and is to update) the information on the use of the holds and tanks of the ship, the extent of coatings and the corrosion prevention system provided in the Survey Planning Questionnaire.

4 Conditions for survey

This section of the survey programme is to provide information on the conditions for survey, e.g. information regarding cargo hold and tank cleaning, gas freeing, ventilation, lighting, etc.

5 Provisions and method of access to structures

This section of the survey programme is to indicate any changes relating to (and is to update) the information on the provisions and methods of access to structures provided in the Survey Planning Questionnaire.

6 List of equipment for survey

This section of the survey programme is to identify and list the equipment that will be made available for carrying out the survey and the required thickness measurements.

7 Survey requirements

7.1 **Overall survey**

This section of the survey programme is to identify and list the spaces that should undergo an overall survey for this ship in accordance with 2.3.1.

Z10.5 7.2 Close-up survey (cont)

This section of the survey programme is to identify and list the hull structures that are to undergo a close-up survey for this ship in accordance with 2.3.2.

8 Identification of tanks for tank testing

This section of the survey programme is to identify and list the cargo holds and tanks that are to undergo tank testing for this ship in accordance with 2.5.

9 Identification of areas and sections for thickness measurements

This section of the survey programme is to identify and list the areas and sections where thickness measurements are to be taken in accordance with 2.4.1.

10 Minimum thickness of hull structures

This section of the survey programme is to specify the minimum thickness for hull structures of this ship that are subject to UR Z10.5 (indicate either (a) or preferably (b), if such information is available):

- (a) Determined from the attached wastage allowance table and the original thickness to the hull structure plans of the ship;
- (b) Given in the following table(s):

| Area or location | Original as-built thickness (mm) | Minimum thickness (mm) | Substantial corrosion thickness (mm) |
|--|----------------------------------|------------------------|--------------------------------------|
| Deck | | | |
| Plating | | | |
| Longitudinals | | | |
| Longitudinal girders | | | |
| Cross deck plating | | | |
| Cross deck stiffeners | | | |
| Bottom | | | |
| Plating | | | |
| Longitudinals | | | |
| Longitudinal girders | | | |
| Inner bottom | | | |
| Plating | | | |
| Longitudinals | | | |
| Longitudinal girders | | | |
| Floors | | | |
| Ship side in way of topside tanks | | | |
| Plating | | | |
| Longitudinals | | | |
| Ship side in way of hopper side tanks | | | |
| Plating | | | |
| Longitudinals | | | |
| Ship side in way of double hull tanks | | | |
| Plating | | | |
| Longitudinals or ordinary transverse frames | | | |

Z10.5
 (cont)

| | | | |
|---|--|--|--|
| Longitudinal stringers | | | |
| Longitudinal bulkhead (inner side) | | | |
| Plating | | | |
| Longitudinals or ordinary transverse frames | | | |
| Longitudinal girders (if applicable) | | | |
| Transverse bulkheads | | | |
| Plating | | | |
| Stiffeners (if applicable) | | | |
| Upper stool plating | | | |
| Upper stool stiffeners | | | |
| Lower stool plating | | | |
| Lower stool stiffeners | | | |
| Transverse web frames in topside tanks | | | |
| Plating | | | |
| Flanges | | | |
| Stiffeners | | | |
| Transverse web frames in double hull tanks | | | |
| Plating | | | |
| Flanges | | | |
| Stiffeners | | | |
| Transverse web frames in hopper tanks | | | |
| Plating | | | |
| Flanges | | | |
| Stiffeners | | | |
| <i>Hatch Covers</i> | | | |
| Plating | | | |
| Stiffeners | | | |
| <i>Hatch Coamings</i> | | | |
| Plating | | | |
| Stiffeners | | | |

Note: The wastage allowance tables are to be attached to the survey programme.

For vessels built under IACS Common Structural Rules, the renewal thickness of the hull structure elements is indicated in the appropriate drawings.

11 Thickness measurement firm

This section of the survey programme is to identify changes, if any, relating to the information on the thickness measurement firm provided in the Survey Planning Questionnaire.

12 Damage experience related to the ship

This section of the survey programme is to, using the tables provided below, provide details of the hull damages for at least the last three years in way of the cargo holds, ballast tanks and void spaces within the cargo length area. These damages are subject to survey.

Z10.5

(cont)

Hull damages sorted by location for this ship

| Cargo hold, tank or space number or area | Possible cause, if known | Description of the damages | Location | Repair | Date of repair |
|---|---------------------------------|-----------------------------------|-----------------|---------------|-----------------------|
| | | | | | |
| | | | | | |
| | | | | | |
| | | | | | |
| | | | | | |
| | | | | | |
| | | | | | |
| | | | | | |
| | | | | | |
| | | | | | |

Hull damages for sister or similar ships (if available) in the case of design related damage

| Cargo hold, tank or space number or area | Possible cause, if known | Description of the damages | Location | Repair | Date of repair |
|---|---------------------------------|-----------------------------------|-----------------|---------------|-----------------------|
| | | | | | |
| | | | | | |
| | | | | | |
| | | | | | |
| | | | | | |
| | | | | | |
| | | | | | |
| | | | | | |
| | | | | | |
| | | | | | |

13 Areas identified with substantial corrosion from previous surveys

This section of the survey programme is to identify and list the areas of substantial corrosion from previous surveys.

14 Critical structural areas and suspect areas

This section of the survey programme is to identify and list the critical structural areas and the suspect areas, when such information is available.

15 Other relevant comments and information

This section of the survey programme is to provide any other comments and information relevant to the survey.

Z10.5 Appendices

(cont)

Appendix 1 - List of plans

Paragraph 5.1.3 requires that main structural plans of cargo holds and ballast tanks (scantling drawings), including information regarding use of high tensile steel (HTS) are to be available. This Appendix of the survey programme is to identify and list the main structural plans which form part of the survey programme.

Appendix 2 - Survey Planning Questionnaire

The Survey Planning Questionnaire (annex IIIB), which has been submitted by the owner, is to be appended to the survey programme.

Appendix 3 - Other documentation

This part of the survey programme is to identify and list any other documentation that forms part of the plan.

Prepared by the owner in co-operation with the Classification Society for compliance with 5.1.3:

Date:.....(name and signature of authorized owner's representative)

Date:.....(name and signature of authorized representative of the
Classification Society)

Z10.5

(cont)

ANNEX IIIB

SURVEY PLANNING QUESTIONNAIRE

1 The following information will enable the owner in co-operation with the Classification Society to develop a Survey Programme complying with the requirements of UR Z10.5. It is essential that the owner provides, when completing the present questionnaire, up-to-date information. The present questionnaire, when completed, shall provide all information and material required by UR Z10.5.

Particulars

Ship's name:

IMO number:

Flag State:

Port of registry:

Owner:

Classification Society:

Class ID:

Gross tonnage:

Deadweight (metric tonnes):

Date of build:

Information on access provision for close-up surveys and thickness measurement

2 The owner is to indicate, in the table below, the means of access to the structures subject to close-up survey and thickness measurement. A close-up survey is an examination where the details of structural components are within the close visual inspection range of the attending surveyor, i.e. normally within reach of hand.

Z10.5

(cont)

| Hold/ Tank No. | Structure | Permanent Means of Access | Temporary staging | Rafts | Ladders | Direct access | Other means (please specify) |
|-------------------------------------|---|---------------------------------|----------------------|-------|---------|------------------|---------------------------------------|
| F.P. | Fore Peak | | | | | | |
| A.P. | Aft Peak | | | | | | |
| CARGO HOLDS | Hatch side coamings | | | | | | |
| | Topside sloping plate | | | | | | |
| | Upper stool plating | | | | | | |
| | Cross deck | | | | | | |
| | Double side tank plating | | | | | | |
| | Transverse bulkhead | | | | | | |
| | Hopper tank plating | | | | | | |
| | Lower stool plating | | | | | | |
| | Tank top | | | | | | |
| | TOPSIDE TANKS | Underdeck structure | | | | | |
| Side shell & structure | | | | | | | |
| Sloping plate & structure | | | | | | | |
| Webs & bulkheads | | | | | | | |
| HOPPER TANKS | Hopper sloping plate & structure | | | | | | |
| | Side shell & structure | | | | | | |
| | Bottom structure | | | | | | |
| | Webs & bulkheads | | | | | | |
| DOUBLE SIDE SKIN TANKS | Side shell & structure | | | | | | |
| | Inner skin & structure | | | | | | |
| | Webs & bulkheads | | | | | | |
| | Double bottom structure | | | | | | |
| | Upper stool internal structure | | | | | | |
| | Lower stool internal structure | | | | | | |
| WING TANKS OF ORE CARRIERS | Underdeck & structure | | | | | | |
| | Side shell & structure | | | | | | |
| | Side shell vertical web & structure | | | | | | |
| | Longitudinal bulkhead & structure | | | | | | |
| | Longitudinal bulkhead web & structure | | | | | | |
| | Bottom plating & structure | | | | | | |
| | Cross ties/stringers | | | | | | |

Z10.5

(cont)

History of bulk cargoes of a corrosive nature (e.g. high sulphur content)

Owner's inspections

3 Using a format similar to that of the table below (which is given as an example), the owner is to provide details of the results of their inspections, for the last 3 years - in accordance with UR Z10.5 - on all CARGO holds and BALLAST tanks and VOID spaces within the cargo area.

| Tank/Hold No. | Corrosion protection (1) | Coating extent (2) | Coating condition (3) | Structural deterioration (4) | Hold and tank history (5) |
|-----------------------------|--------------------------|--------------------|-----------------------|------------------------------|---------------------------|
| Cargo holds | | | | | |
| Topside tanks | | | | | |
| Hopper tanks | | | | | |
| Double side skin tanks | | | | | |
| Double bottom tanks | | | | | |
| Upper stools | | | | | |
| Lower stools | | | | | |
| Wing tanks (ore carriers) | | | | | |
| Fore peak | | | | | |
| Aft peak | | | | | |
| Miscellaneous other spaces: | | | | | |

Note: Indicate tanks which are used for oil/ballast

- 1) HC=hard coating; SC=soft coating; SH=semihard coating; NP=no protection
- 2) U=upper part; M=middle part; L=lower part; C=complete

Z10.5
(cont)

- 3) G=good; F=fair; P=poor;
RC=recoated (during the last 3 years)
- 4) N=no findings recorded; Y=findings recorded,
description of findings is to be attached to this questionnaire
- 5) DR=Damage & Repair; L=Leakages;
CV= Conversion
(Description to be attached to this questionnaire)

Name of owner's representative:

Signature:

Date:

